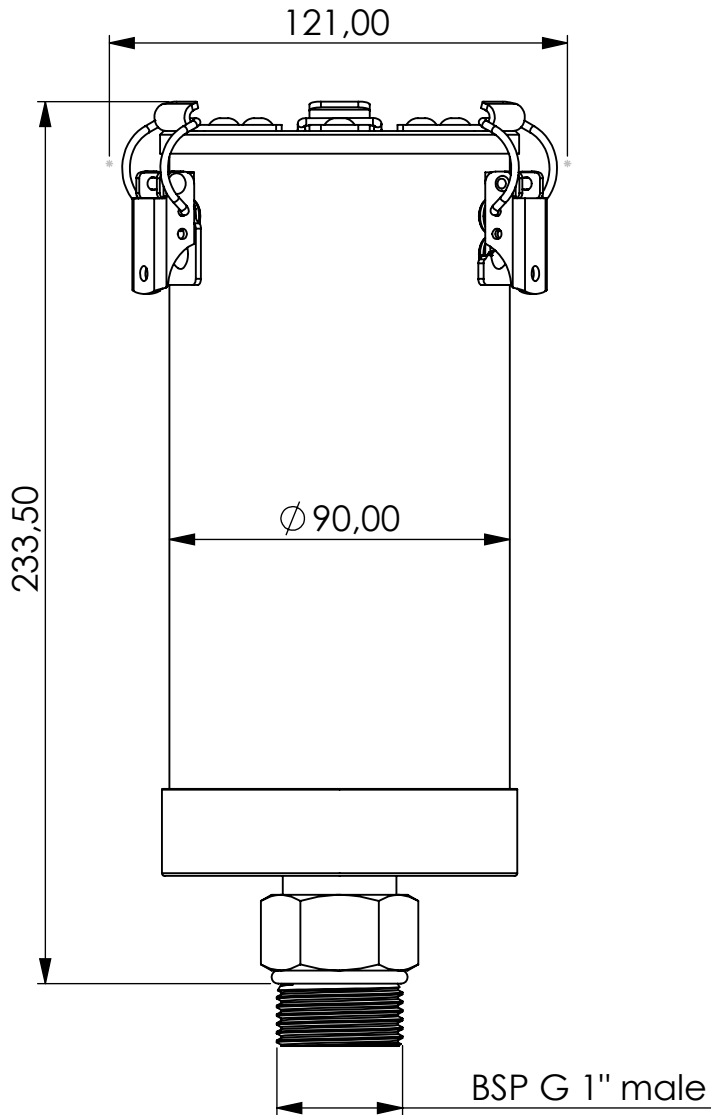


Adsorber VG-R series



Product Code	VG	-	2L	-	R	-	F	-	00	-	P3	-	A	-	G1a
	Adsorber type		Size		Refillable cartridge		FKM seals		No valves 0 IN 0 OUT		Paper filter 3 micron		Adsorbent active carbon		Connection for System BSP G1" male

Housing materials: PA6, PC, AL

Active carbon (kg): 0,3

Total weight (kg): 1.05

NAME:

Adsorber VG 2L-R G1"m
VG_2L-R_F_00_P3_A_G1a

Article no.:
05.0040.23

Status
freigabe

Format
A4

Maßstab

Blatt / von

1:2

1 / 1

rev.	Date	Name
	26.03.2020	Daniel Zinic



GIEBEL Adsorber®
...setting standards in aeration drying!

GIEBEL FilTec GmbH
www.giebel-adsorber.de
info@giebel-adsorber.de