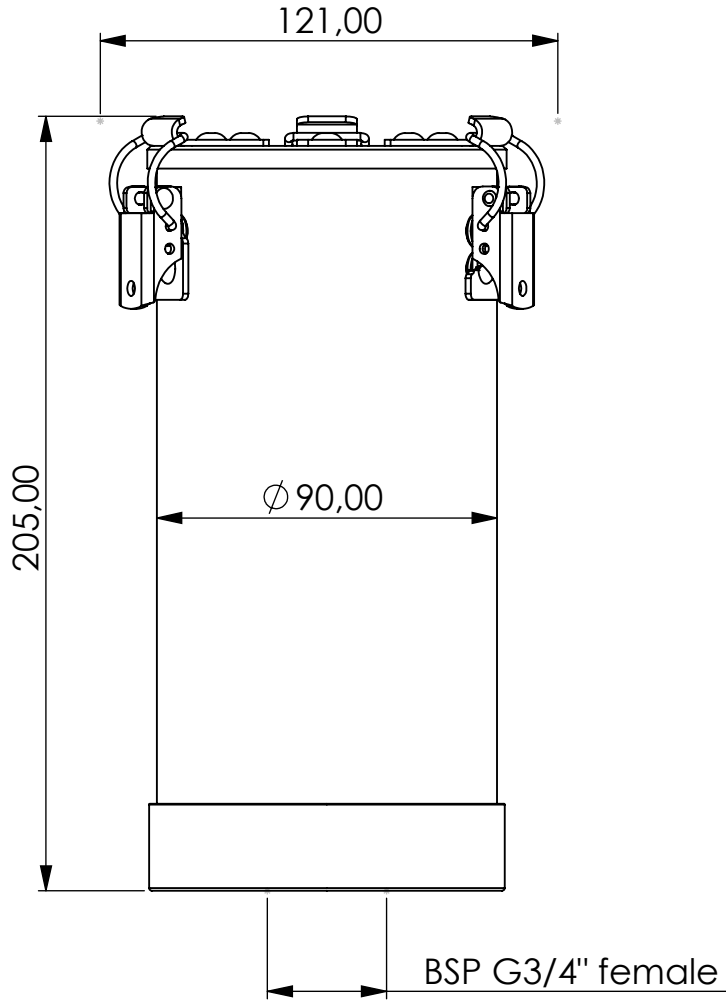


Adsorber VG-R series



Product Code	VG	-	R	-	2L	-	F	-	00	-	P3	-	A	-	G34i
	Adsorber type		Refillable cartridge		Size		FKM seals		No valves 0 IN 0 OUT		paper filter 3 micron		Adsorbent active carbon		Connection for System BSP G3/4" female

Housing materials: PA6, PC

Active carbon (kg): 0,3

Total weight (kg): 1.0

NAME:

Adsorber VG-R 2L G3/4"f
VG-R_2L_F_00_P3_A_G34i

Article no.:
05.0040.26

Status approved

Format A4

Ratio 1:2

Sheet / of 1 / 1



GIEBEL Adsorber®
...setting standards in aeration drying!

GIEBEL FilTec GmbH
www.giebel-adsorber.de
info@giebel-adsorber.de