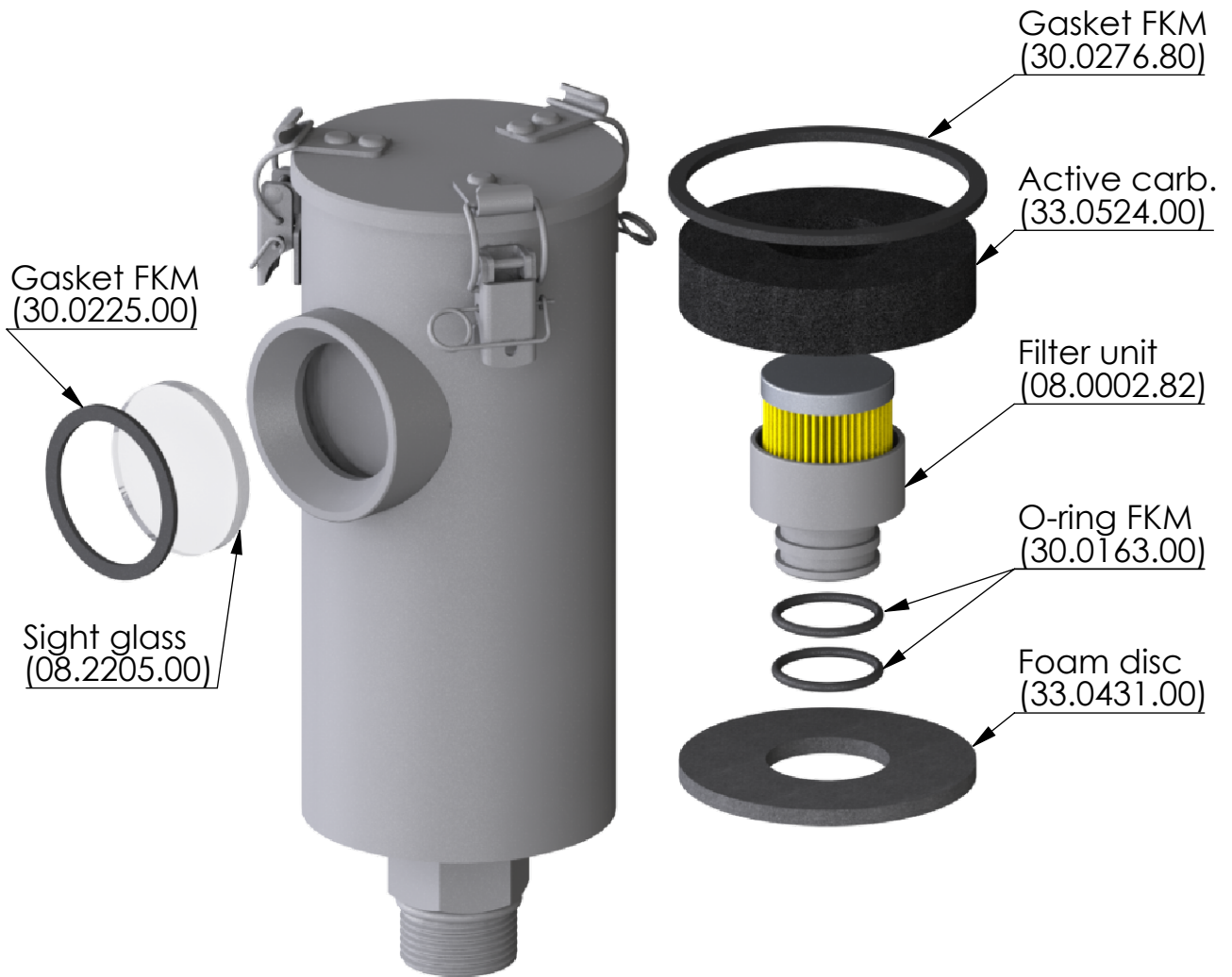


SPARE PARTS KIT ET ME-R 2



GIEBEL Xdry needed per Adsorber:
- Adsorber ME-RV 2L: 0,55 KG



GIEBEL Xdry sold separately
(please visit our shop at giebel-adsorber.com/shop)



				Date	Name	Weight (kg): 0.2
				Created 30.11.2021	daniel.zinic	Naming: Spare Parts Kit ET_ME-R_2_F_P3_C
				Released 17.10.2023	daniel.zinic	
				GIEBEL FilTec GmbH www.giebel-adsorber.com info@gf-dry.com		Article number: 05.0040.37
						Status approved
Rev	Changes	Date	Name	Observe protection note ISO 16016		Scale
						Sheet / of 1 / 1