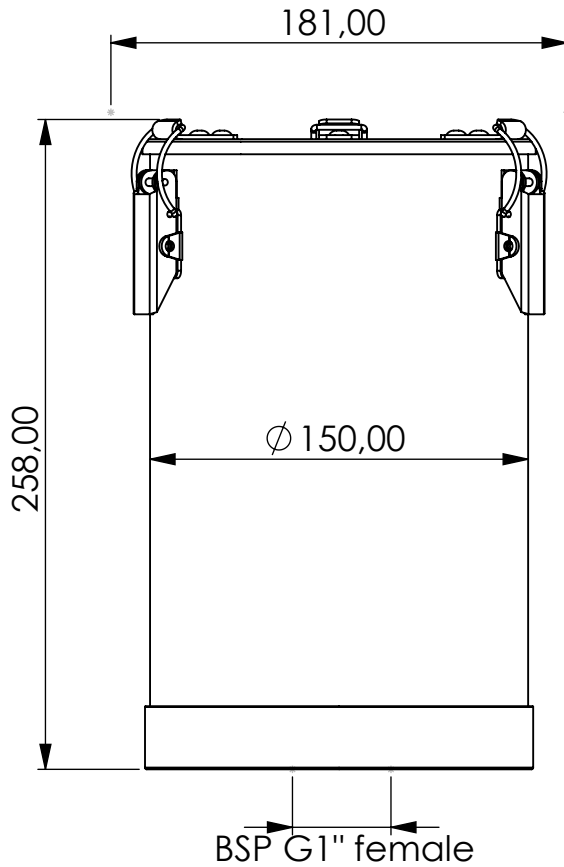


Adsorber VV-R series



Product Code	VV	-	R	-	5M	-	F	-	00	-	P3	-	XC	-	G1f
	Adsorber type		Refillable cartridge		Size		FKM seals		No valves 0 IN 0 OUT		Paper filter 3 micron		Adsorbent GIEBEL Xdry® & carbon		Connection for System BSP G1" female

Housing materials: PA6, PC, AL	
GIEBEL Xdry® (kg): 2,0	Color-change capacity (ml): 700
Total weight (kg): 3.505	
NAME:	
Adsorber VV-R 5M G1"f	
VV-R_5M_F_00_P3_XC_G1f	
Article no.:	Status
05.0060.29	freigabe
	Format
	A4
	Maßstab
	Blatt / von
	1:3
	1 / 1

	Date	Name
rev.	17.04.2023	Daniel Zinic
 GIEBEL Adsorber® ...setting standards in aeration drying!		
GIEBEL FilTec GmbH www.giebel-adsorber.de info@giebel-adsorber.de		