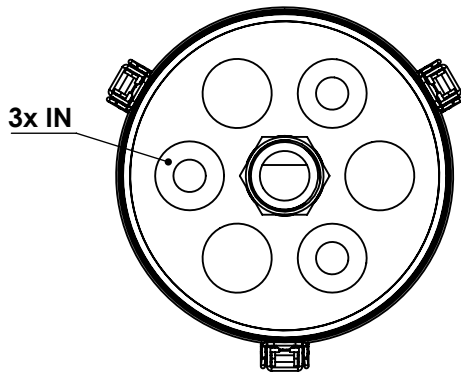
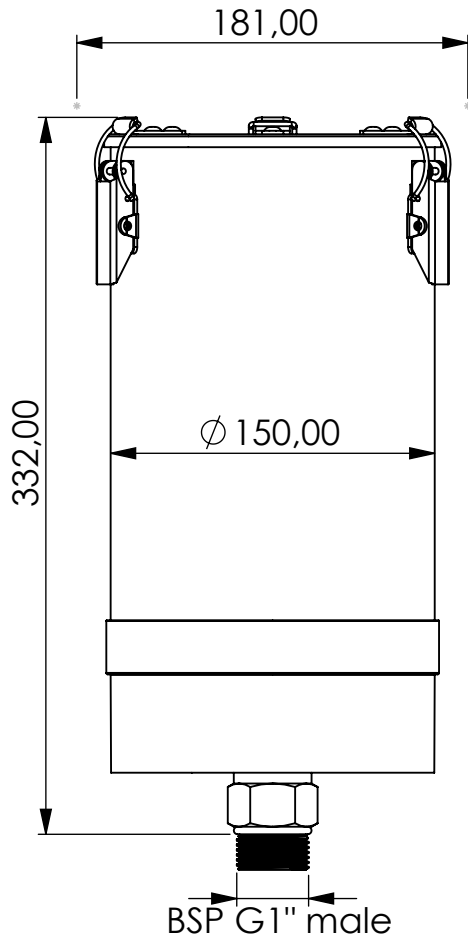


# Adsorber VV-RV series



Product Code	VV	-	RV	-	5M	-	F	-	30	-	P3	-	XC	-	G1m
	Adsorber type		Refillable cartridge + valves		Size		FKM seals		Check valves 3 IN 0 OUT		Paper filter 3 micron		Adsorbent GIEBEL Xdry® & carbon		Connection for System BSP G1" male

Housing materials:	PA6, PC, AL	
GIEBEL Xdry® (kg):	2,0	Color-change capacity (ml): 700
Total weight (kg):	3.88	

NAME:		
<b>Adsorber VV-RV 5M G1"m</b>		
VV-RV_5M_F_30_P3_XC_G1m		



GIEBEL FilTec GmbH  
[www.giebel-adsorber.de](http://www.giebel-adsorber.de)  
[info@giebel-adsorber.de](mailto:info@giebel-adsorber.de)

Article no.:	Status freigabe	Format A4
<b>05.0060.44</b>	Maßstab	Blatt / von
	1:3.5	1 / 1