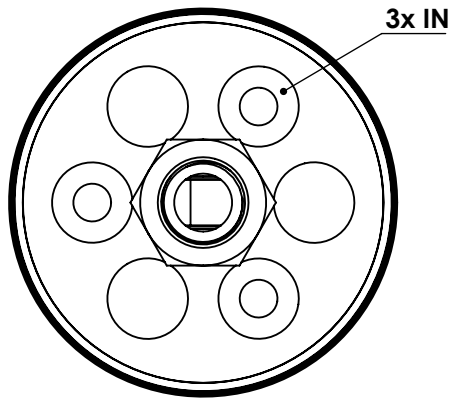
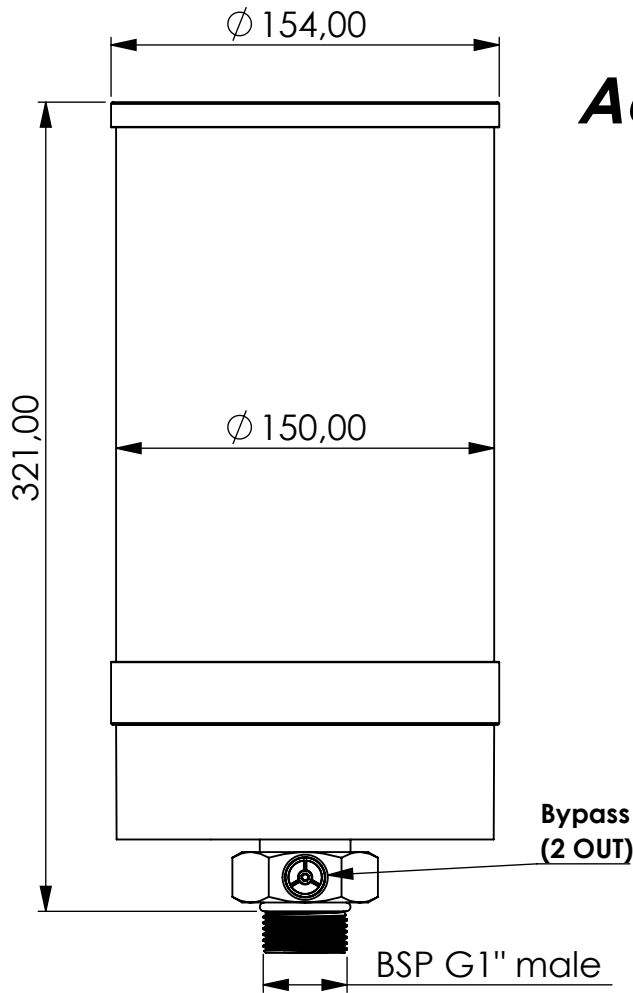


# Adsorber VV-DV series



Product Code	<b>VV</b>	-	<b>DV</b>	-	<b>5M</b>	-	<b>F</b>	-	<b>30-BY</b>	-	<b>P3</b>	-	<b>XC</b>	-	<b>G1m</b>
	Adsorber type		Disposable cartridge + valves		Size		FKM seals		Check valves 3 IN 0 OUT Bypass (2 OUT)		Paper filter 3 micron		Adsorbent GIEBEL Xdry® & carbon		Connection for System BSP G1" male

Housing materials:	PA6, PC, AL
GIEBEL Xdry® (kg):	2,15
Color-change capacity (ml):	753
Total weight (kg):	3.47

NAME:	<b>Adsorber VV-DV 5M BY G1"m</b>
	VV-DV_5M_F_30-BY_P3_XC_G1m

 <b>GIEBEL Adsorber®</b> <small>...setting standards in aeration drying!</small>	Date	Name
	rev. 15.04.2023	Daniel Zinic
GIEBEL FilTec GmbH <a href="http://www.giebel-adsorber.de">www.giebel-adsorber.de</a> <a href="mailto:info@giebel-adsorber.de">info@giebel-adsorber.de</a>		
Article no.:	Status freigabe	Format A4
<b>05.0060.53</b>	Maßstab	Blatt / von
	1:3	1 / 1