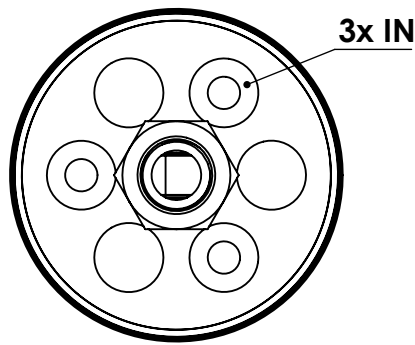
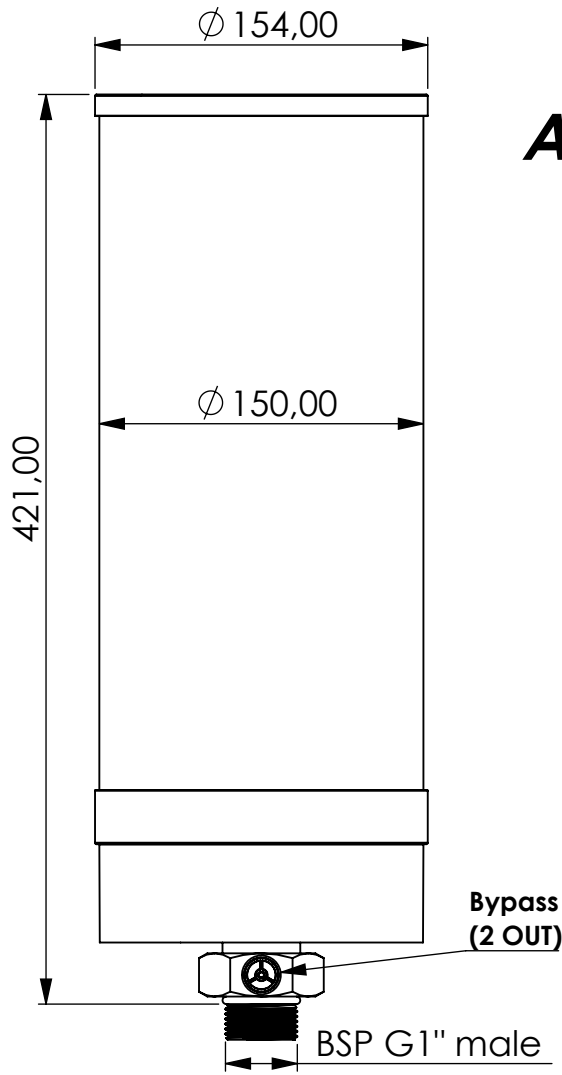


Adsorber VV-DV series



Product Code	VV	-	DV	-	5L	-	F	-	30-BY	-	P3	-	XC	-	G1m
	Adsorber type		Disposable cartridge + valves		Size		FKM seals		Check valves 3 IN 0 OUT Bypass (2 OUT)		Paper filter 3 micron		Adsorbent GIEBEL Xdry® & carbon		Connection for System BSP G1" male

Housing materials:	PA6, PC, AL	
GIEBEL Xdry® (kg):	3,4	Color-change capacity (ml): 1190
Total weight (kg):	4.88	

NAME:		
Adsorber VV-DV 5L BY G1"m		
VV-DV_5L_F_30-BY_P3_XC_G1m		

 GIEBEL Adsorber® <small>...setting standards in aeration drying!</small>	rev.	Date	Name
		15.04.2023	Daniel Zinic
GIEBEL FilTec GmbH www.giebel-adsorber.de info@giebel-adsorber.de			

Article no.:	Status	Format
	freigabe	A4
	Maßstab	Blatt / von
05.0060.54	1:3.5	1 / 1