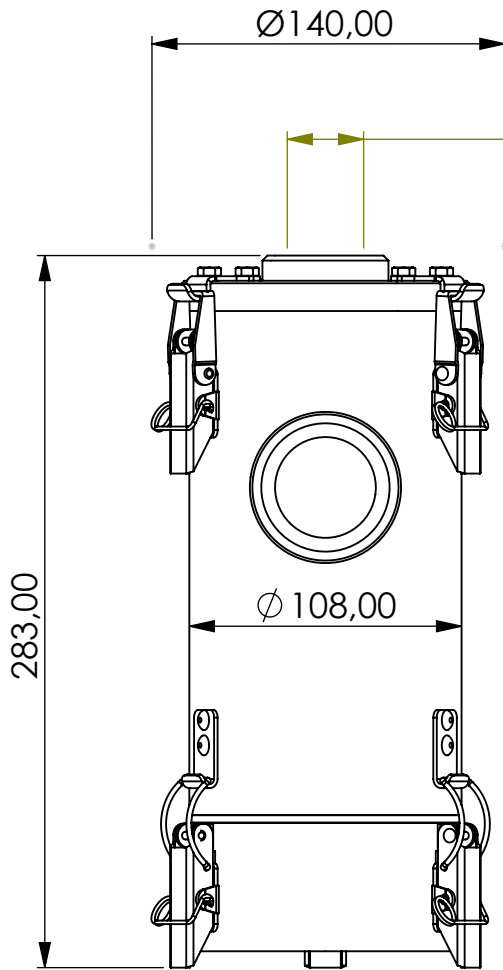
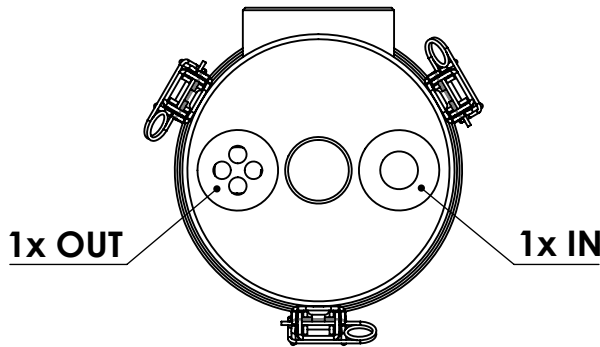
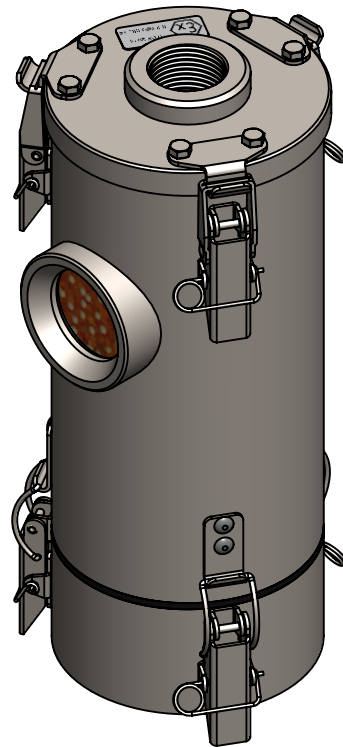


# Adsorber TM-RV series

DIN EN 50216-5:2002 + A3:2006



BSP G 1" female  
according to  
DIN42567C



Product Code	<b>TM</b>	-	<b>RV</b>	-	<b>3M</b>	-	<b>F</b>	-	<b>11</b>	-	<b>V2</b>	-	<b>XC</b>	-	<b>DIN42567C-G1f</b>
	Adsorber type		Refillable + valves		Size		FKM seals		Check valves 1 IN 1 OUT		Filter fleece 2 micron		Adsorbent GIEBEL Xdry® & carbon		Connection for System BSP G1" female

Housing materials: Stainless steel 316L

GIEBEL Xdry® (kg): 1,1      Color-change capacity (ml): 385

Total weight (kg): 5.1

NAME:

**Adsorber TM-RV 3M DIN42567C-G1" f**  
TM-RV\_3M\_F\_11\_V2\_XC\_DIN42567C-G1f

Article no.:  
**06.0005.12**

Status freigabe	Format A4
Maßstab 1:3	Blatt / von 1 / 1



**GIEBEL Adsorber®**  
...setting standards in aeration drying!

GIEBEL FilTec GmbH  
www.giebel-adsorber.com  
info@gf-dry.com