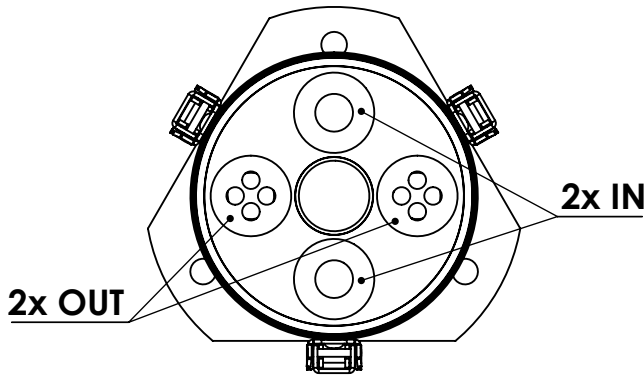
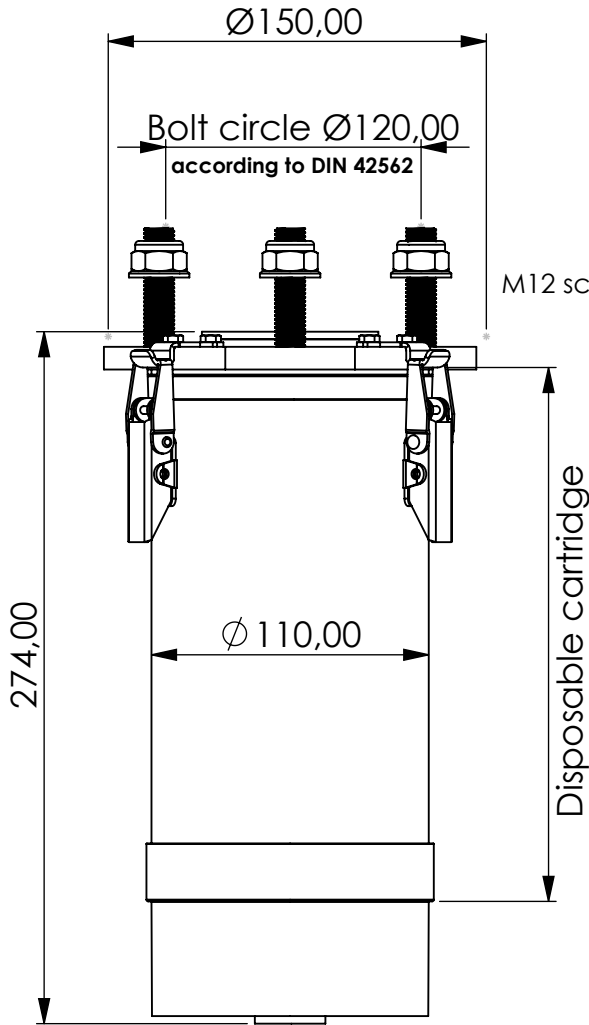


Adsorber TB-DV series



Product Code	TB	-	DV	-	3M	-	F	-	22	-	V2	-	XC	-	DIN42562
Adsorber type	Disposable cartridge + valves		Size	FKM seals	Check valves 2 IN 2 OUT		Filter fleece 2 micron		Adsorbent GIEBEL Xdry® & carbon		Connection for System DIN42562 flange				

Housing materials:	PA6, PC, AL	
GIEBEL Xdry® (kg):	1.0	Color-change capacity (ml): 350
Total weight (kg):	2.58	

NAME:	Adsorber TB-DV 3M DIN42562	
	TB-DV_3M_F_22_V2_XC_DIN42562	

 GIEBEL Adsorber® <small>...setting standards in aeration drying!</small>	rev.	Date	Name
		04.05.2023	Daniel Zinic
GIEBEL FilTec GmbH www.giebel-adsorber.com info@gf-dry.com			

Article no.:	Status	Format
06.0005.50	freigabe	A4
	Maßstab	Blatt / von
	1:3	1 / 1