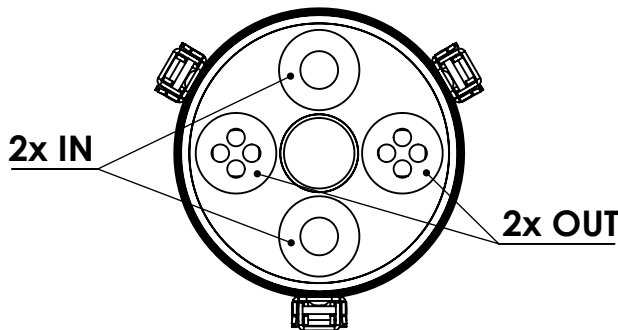
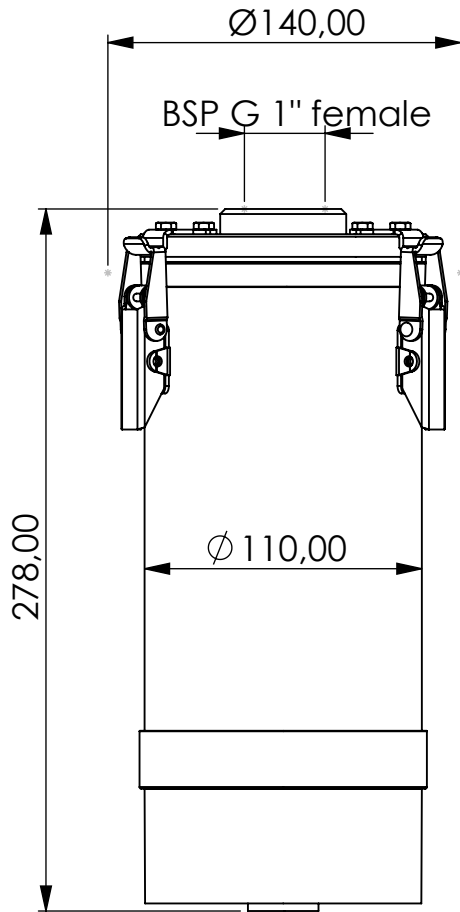


Adsorber TB-DV series



| | | | | | | | | | | | | | | | |
|--------------|---------------|---|-------------------------------|---|-----------|---|-----------|---|-------------------------------|---|---------------------------|---|---------------------------------------|---|---|
| Product Code | TB | - | DV | - | 3M | - | F | - | 22 | - | V2 | - | XC | - | G1f |
| | Adsorber type | | Disposable cartridge + valves | | Size | | FKM seals | | Check valves 2 IN 2 OUT | | Filter fleece 2 micron | | Adsorbent GIEBEL Xdry® & carbon | | Connection for System G 1" female |

| | | |
|--------------------|-------------|---------------------------------|
| Housing materials: | PA6, PC, AL | |
| GIEBEL Xdry® (kg): | 1.0 | Color-change capacity (ml): 350 |
| Total weight (kg): | 2.28 | |

NAME:
Adsorber TB-DV 3M DIN42567C-G1f
TB-DV_3M_F_22_V2_XC_DIN42567C-G1f

| | | | |
|--|------|------------|--------------|
|  GIEBEL Adsorber® ...setting standards in aeration drying! | rev. | Date | Name |
| | | 05.05.2023 | Daniel Zinic |
| GIEBEL FilTec GmbH www.giebel-adsorber.de info@giebel-adsorber.de | | | |

| | | |
|-------------------|----------|-------------|
| Article no.: | Status | Format |
| | freigabe | A4 |
| 06.0005.53 | Maßstab | Blatt / von |
| | 1:3 | 1 / 1 |