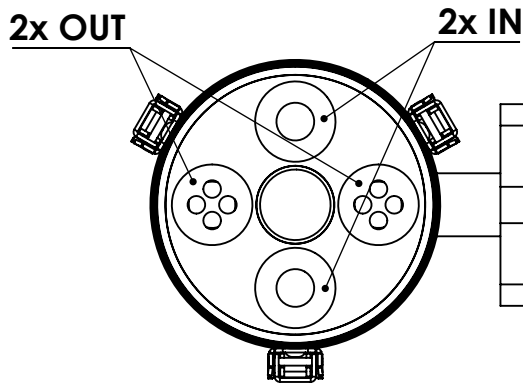
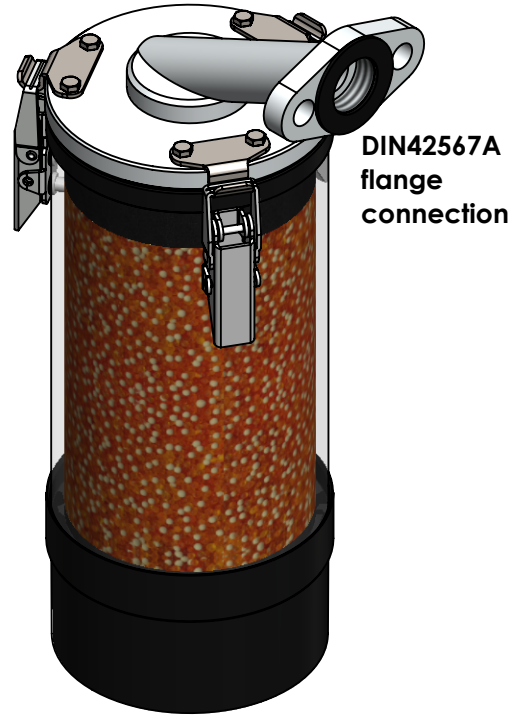
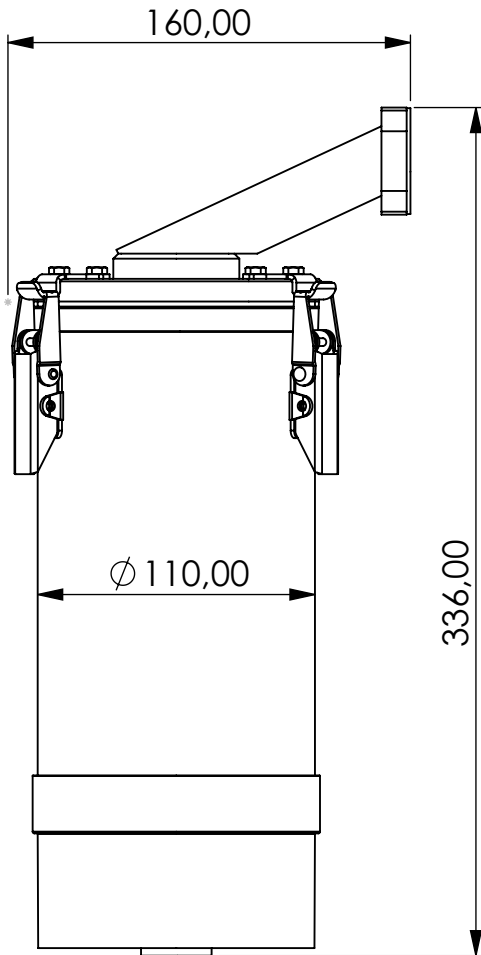


Adsorber TB-DV series



Product Code	TB	-	DV	-	3M	-	F	-	22	-	V2	-	XC	-	DIN42567A
	Adsorber type		Disposable cartridge + valves		Size		FKM seals		Check valves 2 IN 2 OUT		Filter fleece 2 micron		Adsorbent GIEBEL Xdry® & carbon		Connection for System DIN42567A

Housing materials:	PA6, PC, AL	
GIEBEL Xdry® (kg):	1.0	Color-change capacity (ml): 350
Total weight (kg):	2.42	

NAME:	Adsorber TB-DV 3M DIN42567A	
	TB-DV_3M_F_22_V2_XC_DIN42567A	

 GIEBEL Adsorber® <small>...setting standards in aeration drying!</small>	rev.	Date	Name
		05.05.2023	daniel.zinic
GIEBEL FilTec GmbH www.giebel-adsorber.de info@giebel-adsorber.de			

Article no.:	Status freigabe	Format A4
06.0005.54	Maßstab	Blatt / von
	1:3	1 / 1