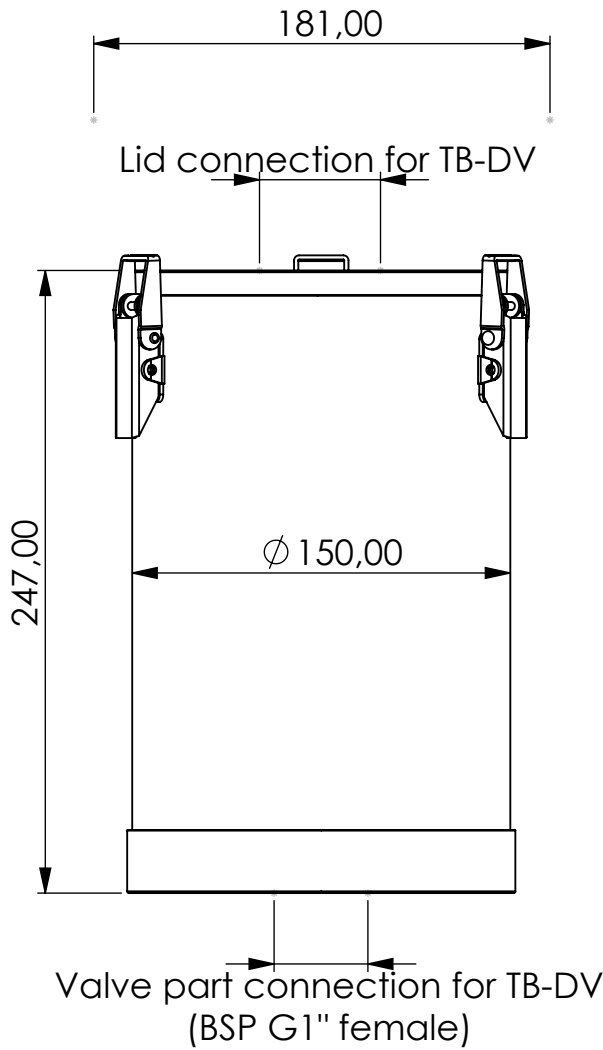


Spare Parts Kit TB-D



| | | | | | | | | | | | | | | | |
|--------------|---------------|---|----------------------|---|-----------|---|-----------|---|-----------------|---|------------------------|---|---------------------------------|---|---------------------------------|
| Product Code | TB | - | D | - | 5M | - | F | - | 00 | - | V2 | - | XC | - | G1f |
| | Adsorber type | | Disposable cartridge | | Size | | FKM seals | | No Check valves | | Filter fleece 2 micron | | Adsorbent GIEBEL Xdry® & carbon | | Connection for Valve part TB-DV |

| | | |
|--------------------|---------|---------------------------------|
| Housing materials: | PA6, PC | |
| GIEBEL Xdry® (kg): | 2,4 | Color-change capacity (ml): 840 |
| Total weight (kg): | 3.6 | |

| | | |
|--------------------------------|-----------------|-------------|
| NAME: | | |
| Spare Parts Kit TB-D 5M | | |
| TB-D_5M_F_00_V2_XC_G1f | | |
| Article no.: | Status freigabe | Format A4 |
| 06.0015.50 | Maßstab | Blatt / von |
| | 1:3 | 1 / 1 |

| | | |
|--|------------|--------------|
| | Date | Name |
| rev. | 04.05.2023 | Daniel Zinic |
|  GIEBEL Adsorber® ...setting standards in aeration drying! | | |
| GIEBEL FilTec GmbH www.giebel-adsorber.de info@giebel-adsorber.de | | |