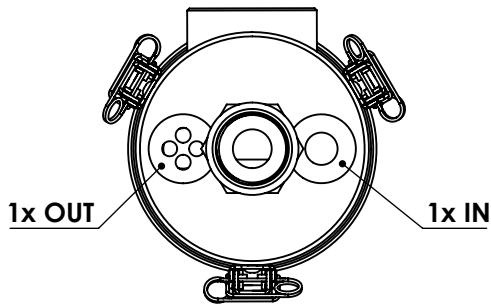
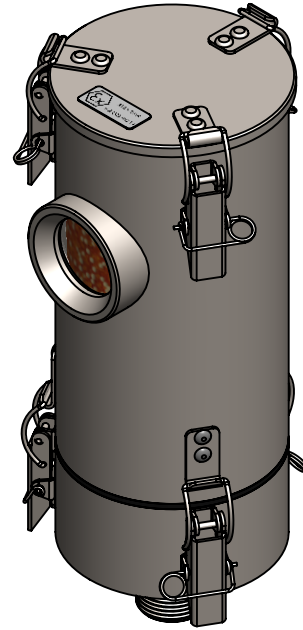
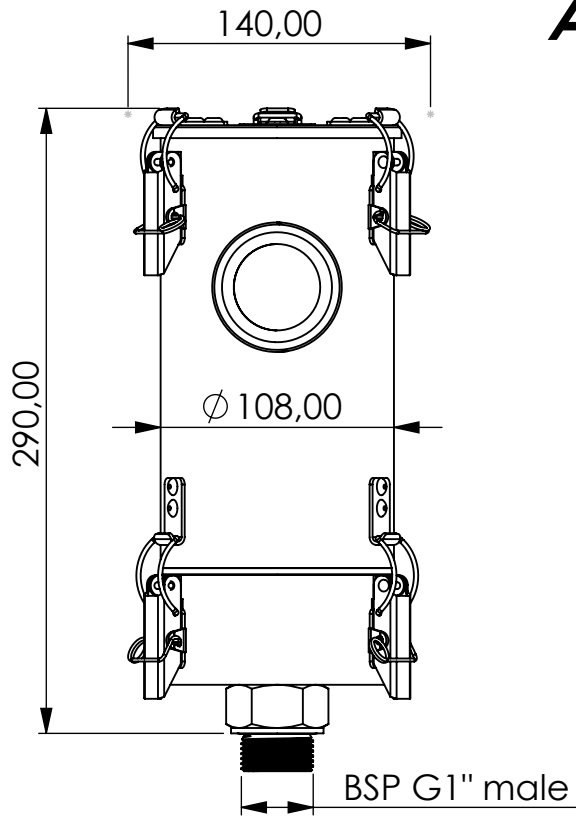


# Adsorber ME-RV series



Product Code	<b>ME</b>	-	<b>RV</b>	-	<b>3M</b>	-	<b>E</b>	-	<b>11</b>	-	<b>P3</b>	-	<b>XC</b>	-	<b>G1m</b>
	Adsorber type		Refillable cartridge + valves		Size		EPDM seals		Check valves 1 IN 1 OUT		Paper filter 3 micron		Adsorbent GIEBEL Xdry® & carbon		Connection for System BSP G1" male

Housing materials:	Stainless steel 316L	
GIEBEL Xdry® (kg):	0.85	Color-change capacity (ml): 298
Total weight (kg):	4.68	

NAME:  
**Adsorber ME-RV 3M EPDM G1"m**  
**ME-RV\_3M\_E\_11\_P3\_XC\_G1m**

 <b>GIEBEL Adsorber®</b> <small>...setting standards in aeration drying!</small>	rev.	Date	Name
		24.05.2024	Daniel Zinic
<b>GIEBEL FilTec GmbH</b> <a href="http://www.giebel-adsorber.com">www.giebel-adsorber.com</a> <a href="mailto:info@gf-dry.com">info@gf-dry.com</a>			

Article no.:	Status	Format
	freigabe	A4
<b>07.0000.49</b>	Maßstab	Blatt / von
	1:3.5	1 / 1