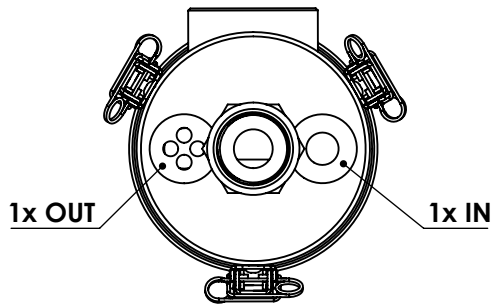
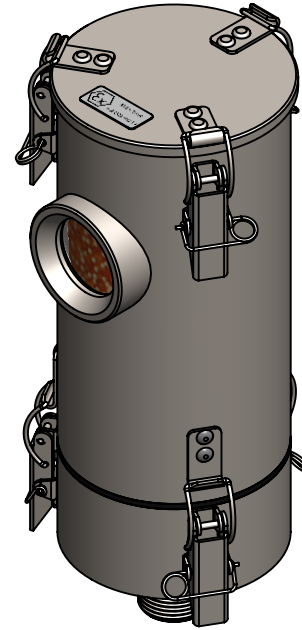
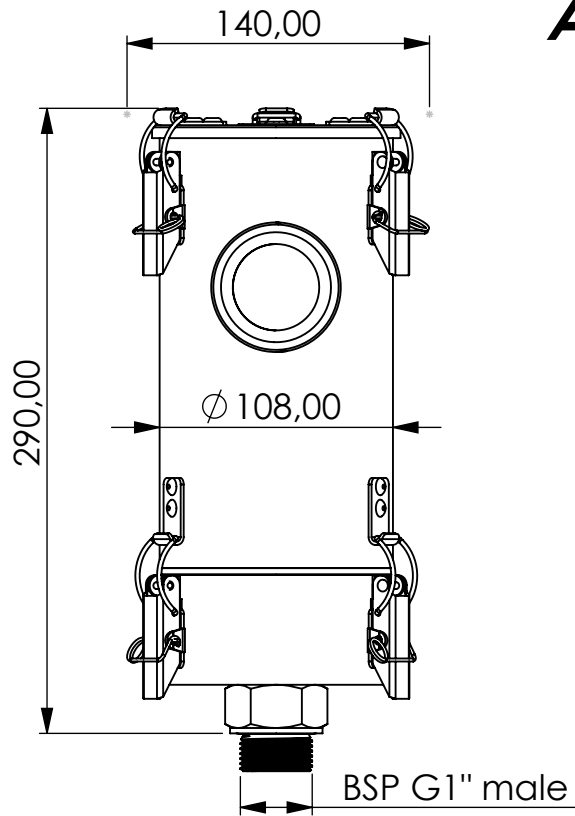


# Adsorber ME-RV series



Product Code	<b>ME</b>	-	<b>RV</b>	-	<b>3M</b>	-	<b>F</b>	-	<b>11</b>	-	<b>P3</b>	-	<b>XC</b>	-	<b>G1m</b>
	Adsorber type		Refillable cartridge + valves		Size		FKM seals		Check valves 1 IN 1 OUT		Paper filter 3 micron		Adsorbent GIEBEL Xdry® & carbon		Connection for System BSP G1" male

Housing materials:	Stainless steel 316L	
GIEBEL Xdry® (kg):	0.85	Color-change capacity (ml): 298
Total weight (kg):	4.68	

NAME:		
<b>Adsorber ME-RV 3M G1"m</b>		
<b>ME-RV_3M_F_11_P3_XC_G1m</b>		
Article no.:	Status freigabe	Format A4
<b>07.0001.09</b>	Maßstab	Blatt / von
	1:3.5	1 / 1

 <b>GIEBEL Adsorber®</b> ...setting standards in aeration drying!	rev.	Date	Name
		24.05.2024	Daniel Zinic
GIEBEL FilTec GmbH <a href="http://www.giebel-adsorber.com">www.giebel-adsorber.com</a> <a href="mailto:info@gf-dry.com">info@gf-dry.com</a>			