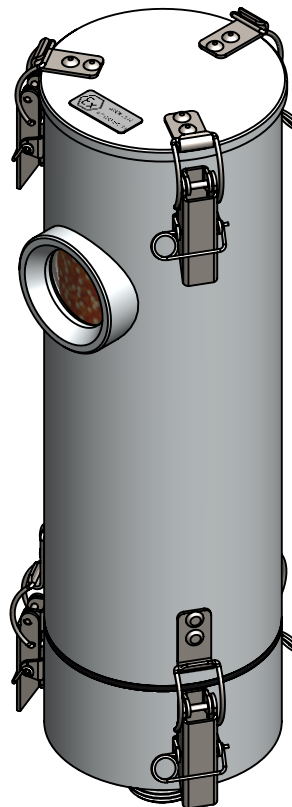
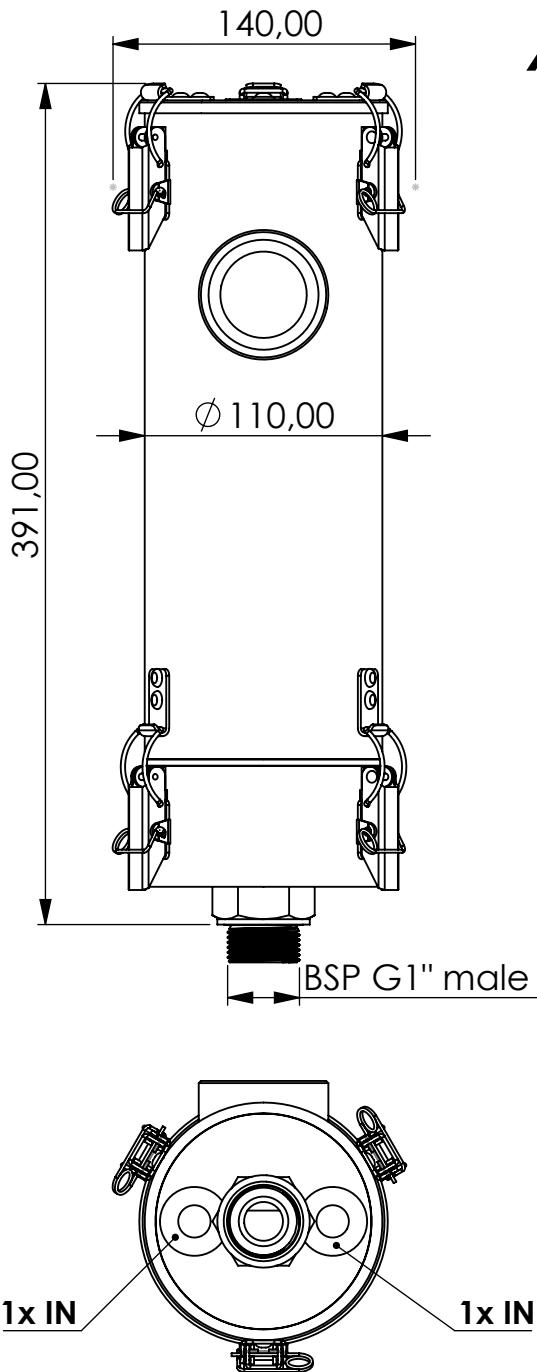


Adsorber MA-RV series



Product Code	MA	-	RV	-	3L	-	E	-	20	-	P3	-	XC	-	G1m
	Adsorber type		Refillable cartridge + valves		Size		EPDM seals		Check valves 2 IN 0 OUT		Paper filter 3 micron		Adsorbent GIEBEL Xdry® & carbon		Connection for System BSP G1" male

Housing materials:	Aluminium		
GIEBEL Xdry® (kg):	1.45	Color-change capacity (ml):	508
Total weight (kg):	3.69		

NAME:
Adsorber MA-RV 3L EPDM IN G1"m
MA-RV_3L_E_20_P3_XC_G1m

rev.	Date	Name
	23.05.2024	Daniel Zinic

GIEBEL FilTec GmbH
www.giebel-adsorber.com
info@gf-dry.com



GIEBEL Adsorber®
...setting standards in aeration drying!

Article no.:	Status freigabe	Format
07.0001.67	Maßstab	Blatt / von
	1:3.5	1 / 1