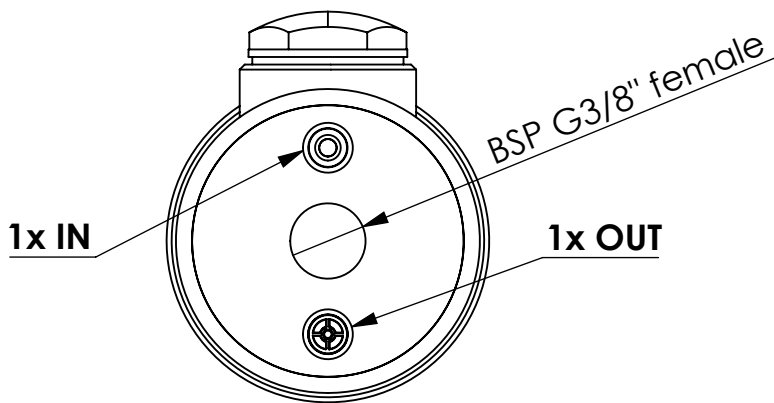
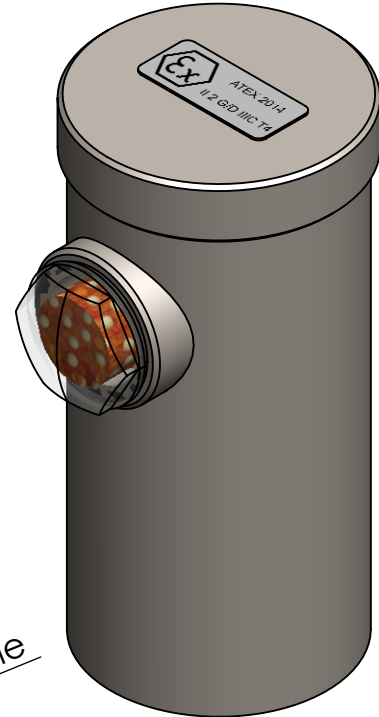
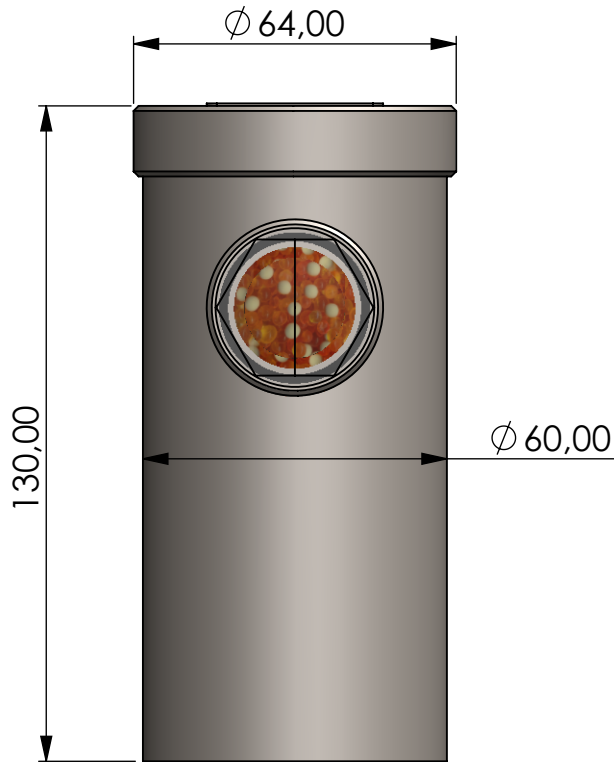


Adsorber ME-RV series



Product Code	ME	-	RV	-	1L	-	F	-	11	-	V2	-	XC	-	G38f
	Adsorber type		Refillable cartridge + valves		Size		FKM seals		Check valves 1x IN 1x OUT		Filter fleece 2 micron		Adsorbent GIEBEL Xdry® & carbon		Connection for System BSP G3/8" female

Housing materials:	Stainless steel 316L	
GIEBEL Xdry® (kg):	0,15	Color-change capacity (ml): 53
Total weight (kg):	1.16	

NAME:		
Adsorber ME-RV 1L G3/8"f		
ME-RV_1L_F_11_V2_XC_G38f		
Article no.:	Status freigabe	Format A4
07.0001.73	Maßstab	Blatt / von
	1:1.5	1 / 1

	Date	Name
rev.	06.06.2024	Daniel Zinic
 GIEBEL Adsorber® ...setting standards in aeration drying!		
GIEBEL FilTec GmbH www.giebel-adsorber.com info@gf-dry.com		