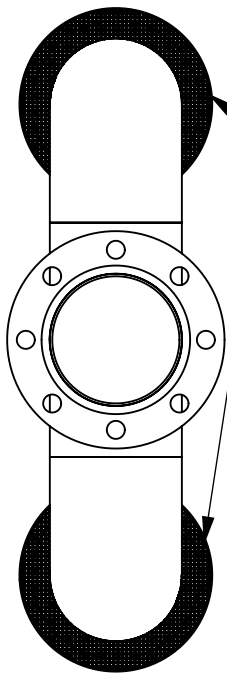
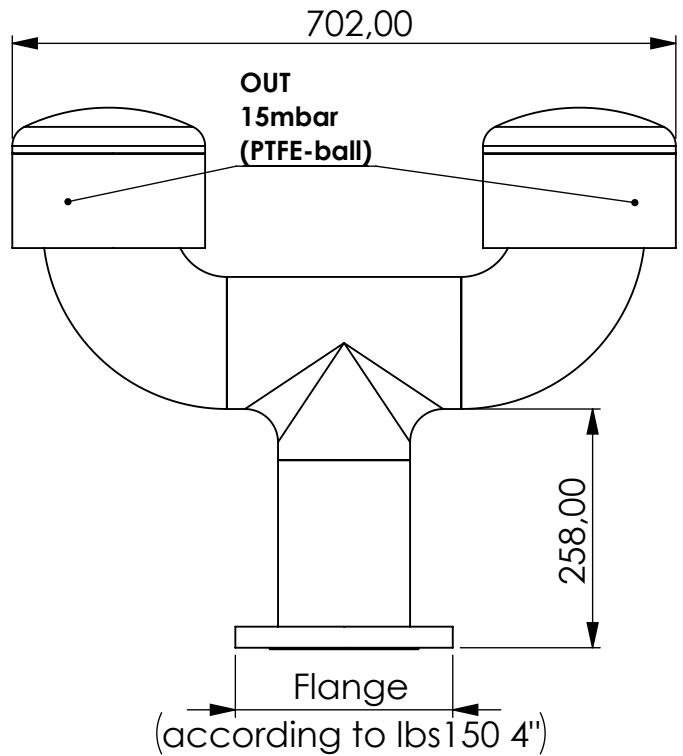
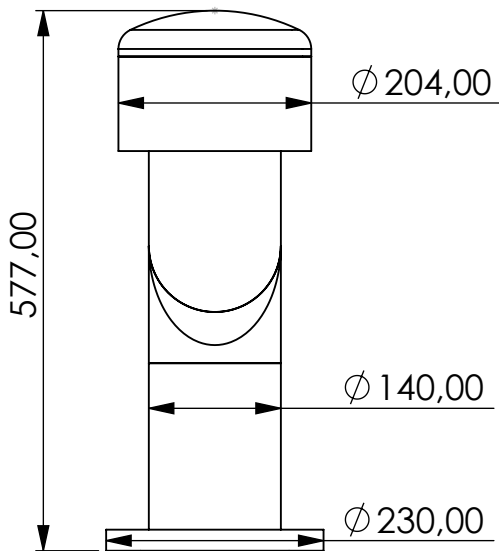
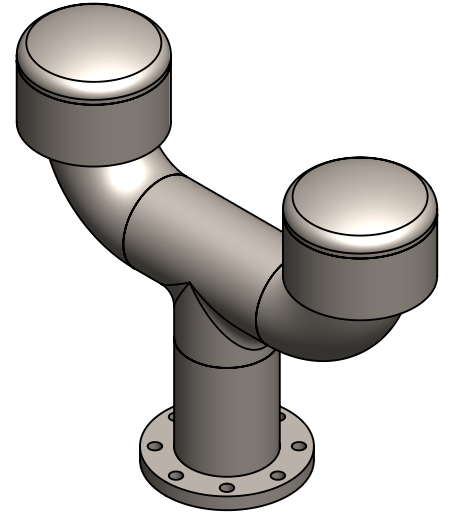


Ventilation System EBS



Bug protection grids

Product Code	EBS-EF	-	SS	-	2	-	V0,015	-	lbs150-4
	Ventilation System EBS Out only		Material stainless steel 316L		2 Valves (out)		15mbar opening pressure		Connection for System lbs150 4" flange

Total weight (kg): 20.65

NAME:

Ventilation System EBS
EBS-EF_SS_2-V0,015_lbs150-4

Article no.:
08.0000.41

Status approved

Format A4

Ratio 1:8

Sheet / of 1 / 1

	Date	Name
rev.	27.09.2023	Daniel Zinic

GIEBEL FilTec GmbH
www.giebel-adsorber.com
info@gf-dry.com



GIEBEL Adsorber®
...setting standards in aeration drying!