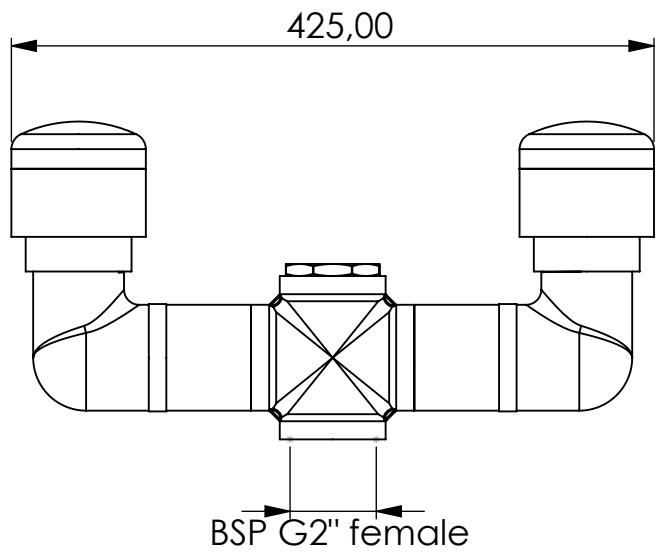
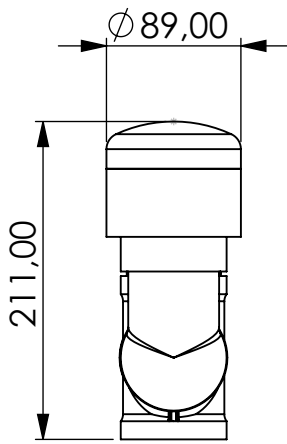
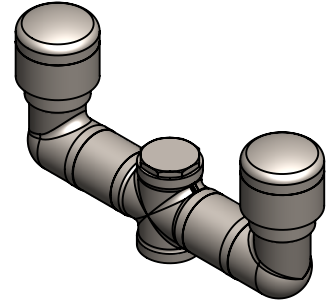


# Ventilation System EBS



Product Code	<b>EBS-EF</b>	-	<b>SS</b>	-	<b>2</b>	-	<b>V0,008</b>	-	<b>G2f</b>
	Ventilation System EBS Out only		Material stainless steel 316L		2 Valves (out)		8mbar opening pressure		Connection for System BSP G2" female

Total weight (kg): 4.527

NAME:

**Ventilation System EBS**  
EBS-EF\_SS\_2-V0,008\_G2f

Article no.:  
**08.0000.85**

Status approved

Format A4

Ratio 1:5

Sheet / of 1 / 1



**GIEBEL Adsorber®**  
...setting standards in aeration drying!

GIEBEL FilTec GmbH  
www.giebel-adsorber.de  
info@giebel-adsorber.de