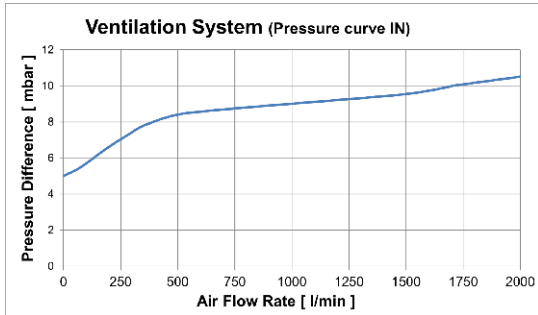
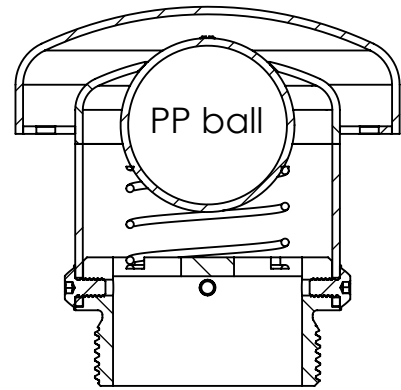
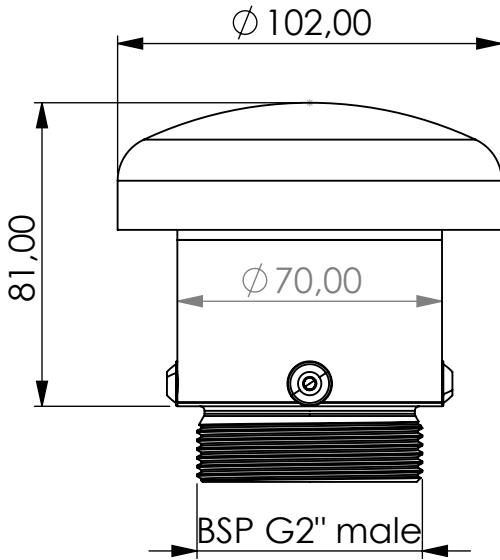
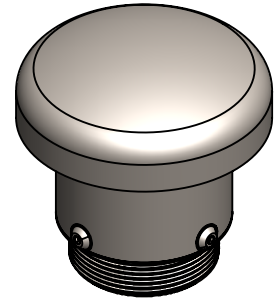
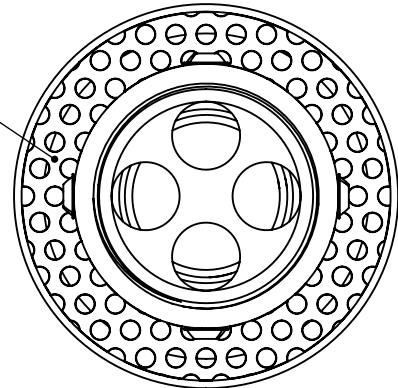


# Ventilation System EBS



**Bug protection**



Product Code	<b>EBS</b>	-	<b>IN</b>	-	<b>SS</b>	-	<b>1</b>	-	<b>V0,005</b>	-	<b>G2m</b>
	Ventilation System EBS		IN-only version		Material stainless steel 316L		1 Valve (in)		5mbar opening pressure		Connection for System BSP G2" male

Total weight (kg): 0.83

NAME:

**Ventilation System EBS**  
EBS-IN\_SS\_1-V0,005\_G2m

Article no.:  
**08.0000.95**

Status approved

Format A4

Ratio 1:2

Sheet / of 1 / 1

rev.	Date	Name
	11.11.2024	Daniel Zinic

GIEBEL FilTec GmbH  
www.giebel-adsorber.com  
info@gf-dry.com



**GIEBEL Adsorber®**  
...setting standards in aeration drying!