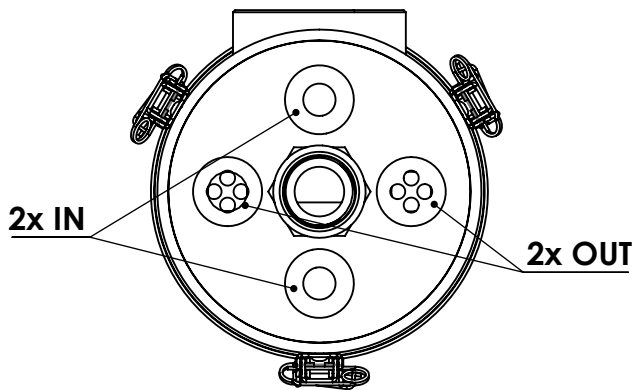
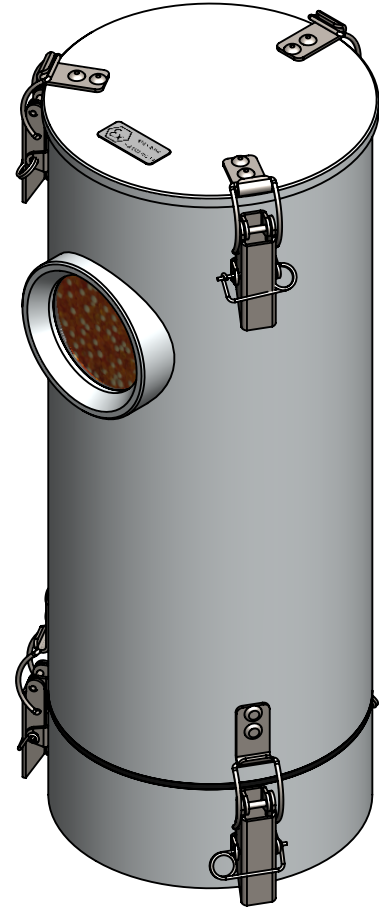
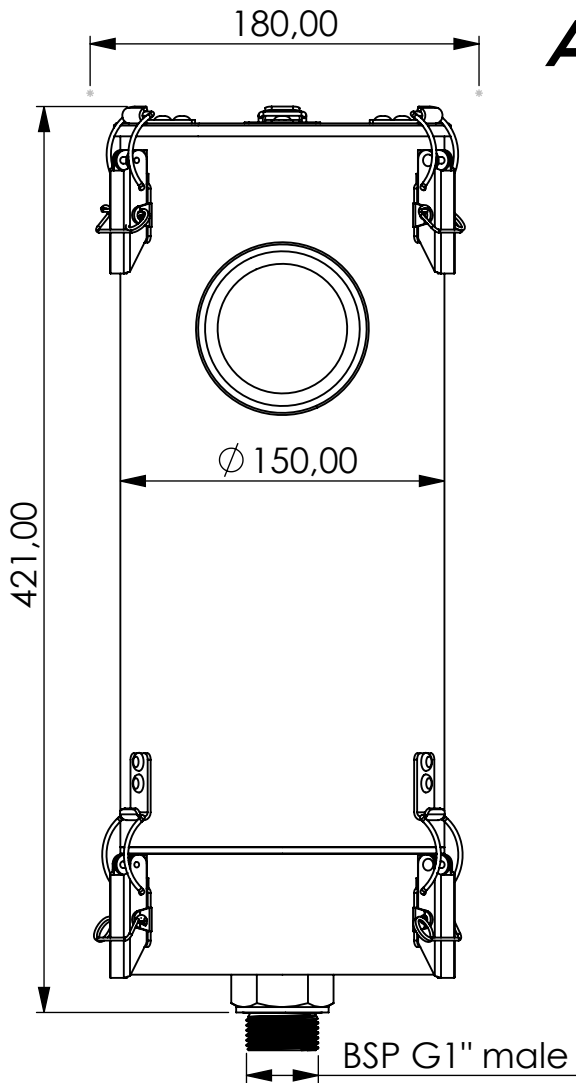


Adsorber MA-RV series



Product Code	MA	-	RV	-	5L	-	E	-	22	-	P3	-	XC	-	G1m
	Adsorber type		Refillable cartridge + valves		Size		EPDM seals		Check valves 2 IN 2 OUT		Paper filter 3 micron		Adsorbent GIEBEL Xdry® & carbon		Connection for System BSP G1" male

Housing materials:	Aluminium	
GIEBEL Xdry® (kg):	3,3	Color-change capacity (ml): 1155
Total weight (kg):	6.82	

NAME:
Adsorber MA-RV 5L EPDM G1"m
MA-RV_5L_E_22_P3_XC_G1m



GIEBEL Adsorber®
 ...setting standards in aeration drying!

GIEBEL FilTec GmbH
www.giebel-adsorber.com
info@gf-dry.com

Article no.:
08.0003.16

Status freigabe	Format A4
Maßstab 1:3.5	Blatt / von 1 / 1