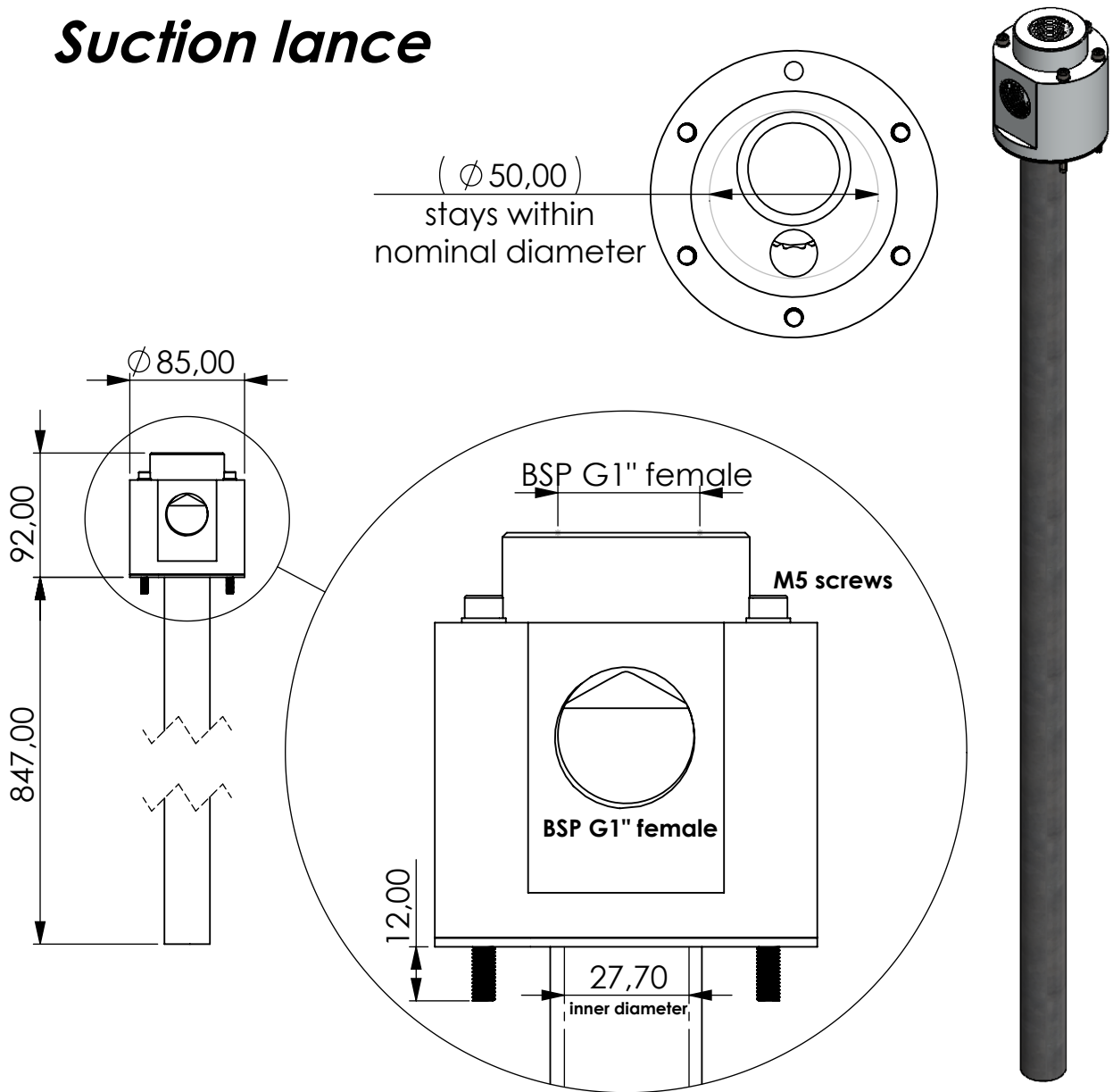


Suction lance



Suction rate (at 1.5m/s): 45L/min
Filling rate (at 3m/s): 90L/min

Product Code	SAL	-	LK73	-	AL	-	F	-	1-G1f	-	G1f
	Suction lance		Bolt circle 73mm		Material Aluminium (pipe Steel hot-dip galvanized)		FKM seals		1x Connection for Bypass BSP G1" female		Connection for Adsorber BSP G1" female



GIEBEL Adsorber®
 ...setting standards in aeration drying!

GIEBEL FilTec GmbH
 www.giebel-adsorber.com
 info@gf-dry.com

Total weight (kg): 3.08

NAME:

Suction lance
SAL-LK73_AL_F_1-G1f_G1f

Article no.:
08.2100.03

Status approved

Format A4

Ratio 1:5

Sheet / of 1 / 1