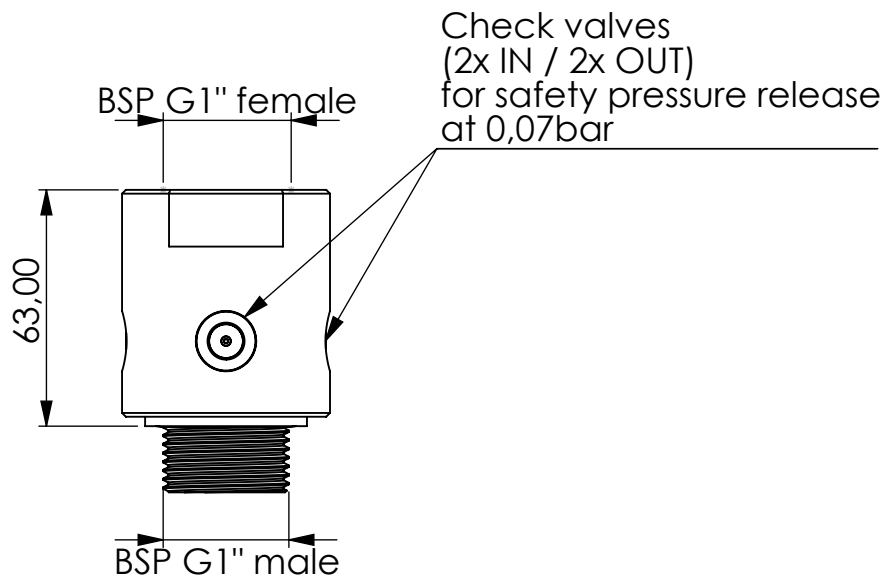
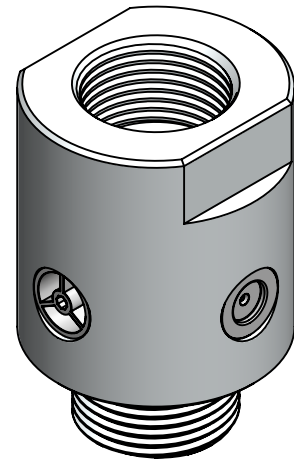
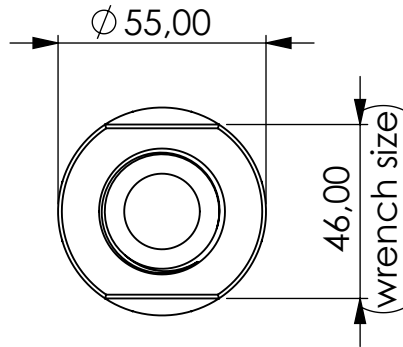


Protection Adapter



Check valves
(2x IN / 2x OUT)
for safety pressure release
at 0,07bar

Product Code	PRT	-	AD	-	SS	-	F	-	V0,07	-	G1f	-	G1m
	Protection Adapter		Adapter female-male		Material stainless steel		FKM seals		Check valves 0,07bar		Connection for Adsorber BSP G1" female		Connection for Adsorber BSP G1" male

Total weight (kg): 0.31

NAME:

Protection Adapter
PRT-AD_AL_F_V0,07_G1f_G1m

Article no.:
08.2104.13

Status
approved

Format
A4

Ratio
1:2

Sheet / of
1 / 1



GIEBEL Adsorber®
...setting standards in aeration drying!

GIEBEL FilTec GmbH
www.giebel-adsorber.de
info@giebel-adsorber.de