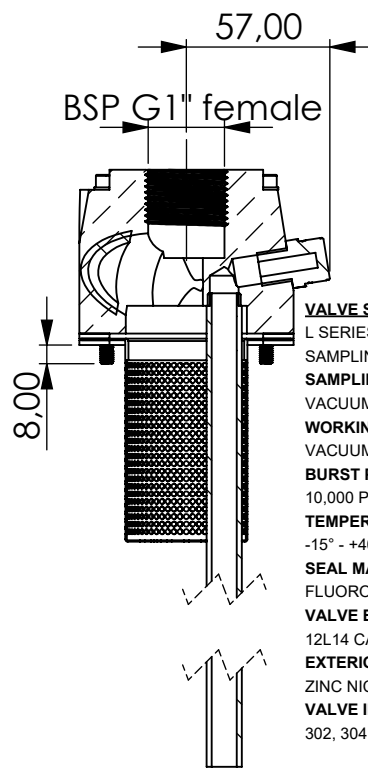
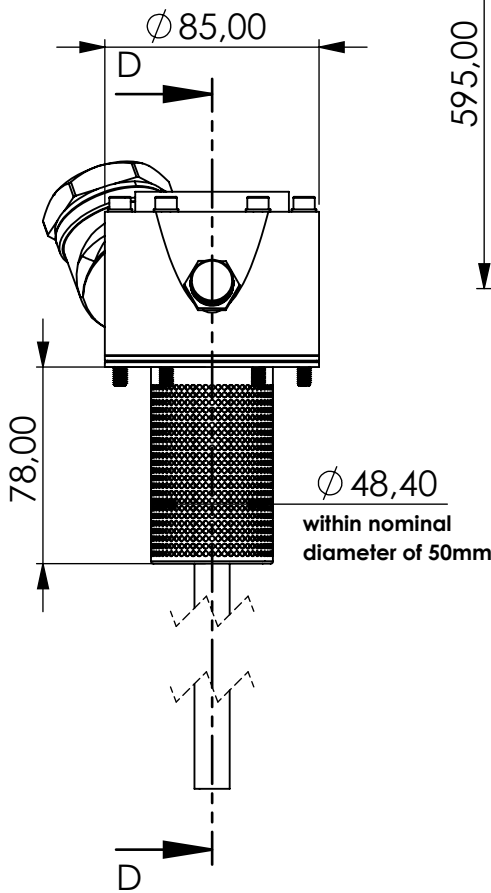
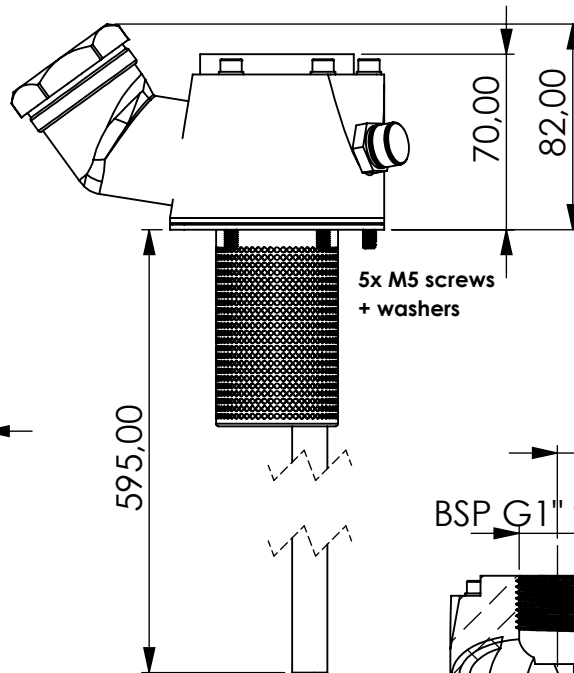
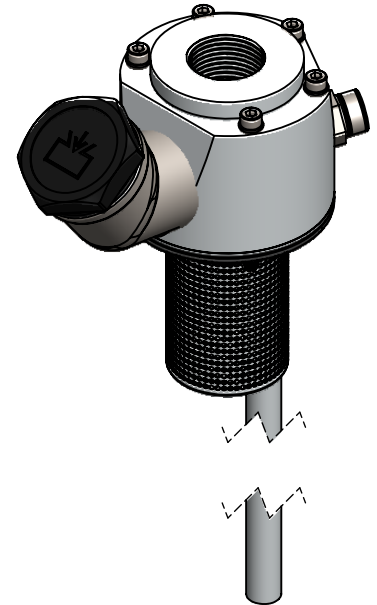


# Filling Adapter



**VALVE SPECIFICATIONS:**  
 L SERIES SAMPLE VALVE L  
 SAMPLING VALVE 1/4-18 NPTF THREAD  
**SAMPLING PRESSURE:**  
 VACUUM - 125 PSI (VACUUM - 0.86 MPa)  
**WORKING PRESSURE:**  
 VACUUM - 3,000 PSI (VACUUM - 20.68 MPa)  
**BURST PRESSURE:**  
 10,000 PSI (68.9 MPa)  
**TEMPERATURE RANGE:**  
 -15° - +400° F (-26° - +204° C)  
**SEAL MATERIAL:**  
 FLUOROELASTOMER (FKM)  
**VALVE BODY MATERIAL:**  
 12L14 CARBON STEEL  
**EXTERIOR PLATING:**  
 ZINC NICKEL  
**VALVE INTERNALS:**  
 302, 304 STAINLESS STEEL

Product Code	<b>FILL</b>	-	<b>OE</b>	-	<b>LK73</b>	-	<b>AL</b>	-	<b>F</b>	-	<b>G1i</b>
	Filling Adapter		Oil extraction		Bolt circle 73mm (DIN 24557)		Material Aluminium		FKM seals		Connection for Adsorber BSP G1" female

Total weight (kg): 1.191

NAME:

**Filling Adapter**

**FILL-OE\_LK73\_AL\_F\_G1i**

Article no.:

**08.2112.30**

Status approved

Format A4

Ratio 1:3

Sheet / of 1 / 1

	Date	Name
rev.	20.12.2021	Daniel Zinic

GIEBEL FilTec GmbH  
 www.giebel-adsorber.de  
 info@giebel-adsorber.de



**GIEBEL Adsorber®**  
 ...setting standards in aeration drying!