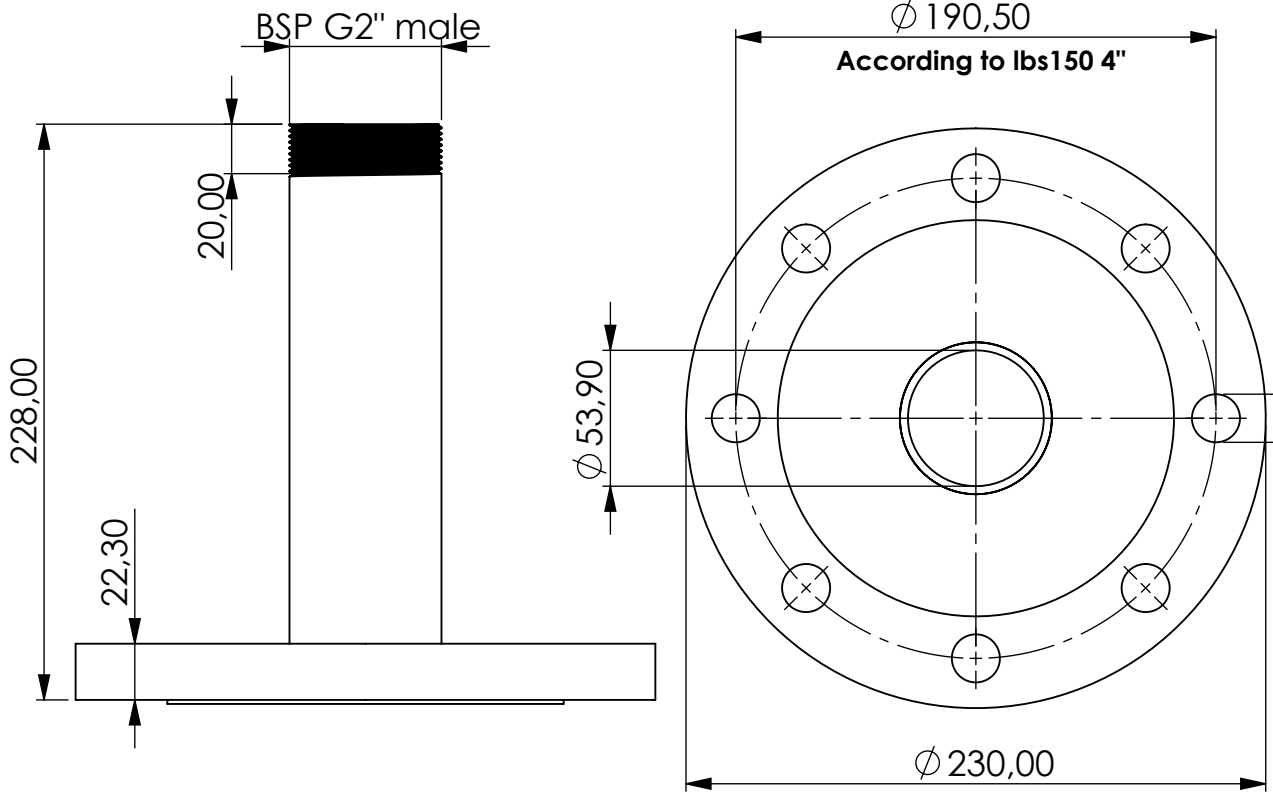
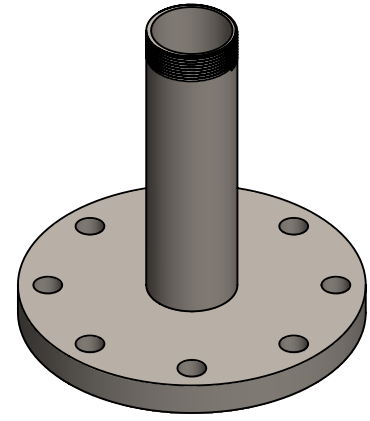


# Ventilation System EBS

accessory



Product Code	EBS	-	FBG	-	SS	-	lbs150	-	Flange size	-	G2a
	Ventilation System EBS		Flange assembly		Material stainless steel 316L		According to ANSI lbs150		4"		Connection for EBS BSP G2" male

Total weight (kg): 7.743

NAME:

**Ventilation System EBS accessory**  
EBS-FBG\_SS\_lbs150\_4\_G2a

Article no.:  
**08.2358.02**

Status approved

Format A4

Ratio 1:3

Sheet / of 1 / 1



**GIEBEL Adsorber®**  
...setting standards in aeration drying!

GIEBEL FilTec GmbH  
www.giebel-adsorber.com  
info@gf-dry.com