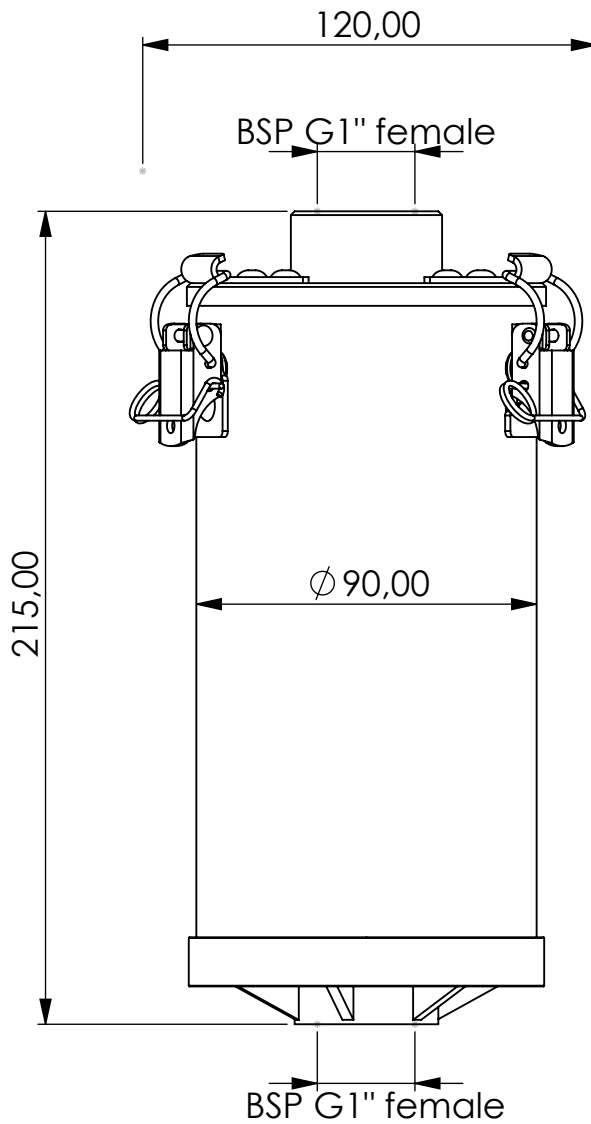


# Adsorber VL-R series



Product Code	<b>VL</b>	-	<b>R</b>	-	<b>2L</b>	-	<b>F</b>	-	<b>V2</b>	-	<b>X</b>	-	<b>G1f</b>	-	<b>G1f</b>
	Adsorber type		Refillable cartridge		Size		FKM		Fleece filter 2 micron		Adsorbent GIEBEL Xdry®		Connection for System BSP G1" female		Connection for System BSP G1" female

Housing materials: PA6, PC, AL	
GIEBEL Xdry® (kg): 0.65	Color-change capacity (ml): 228
Total weight (kg): 1.208	
NAME:	
<b>Adsorber VL-R 2L G1" f</b>	
VL-R_2L_F_V2_X_G1f_G1f	
Article no.:	Status approved
<b>12.0000.22</b>	Format A4
	Ratio 1:2
	Sheet / of 1 / 1

	Date	Name
rev.	26.05.2023	Daniel Zinic
 <b>GIEBEL Adsorber®</b> ...setting standards in aeration drying!		
GIEBEL FilTec GmbH www.giebel-adsorber.com info@gf-dry.com		