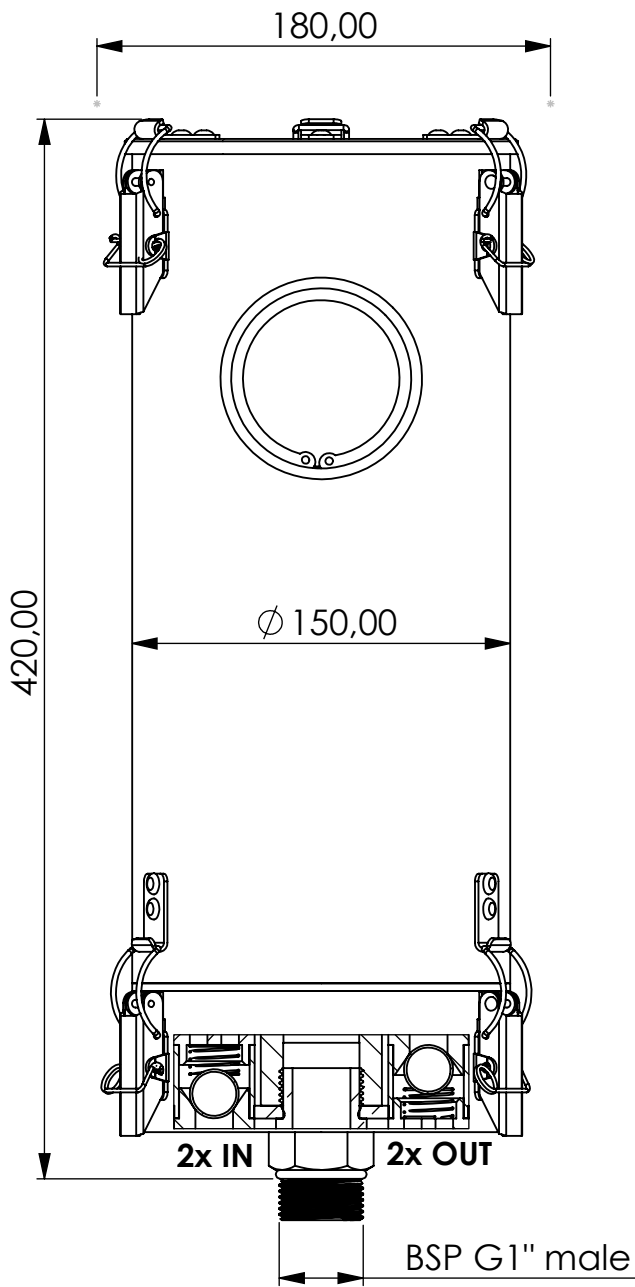


# Adsorber MA-RV series



Product Code	<b>MA</b>	-	<b>RV</b>	-	<b>5L</b>	-	<b>F</b>	-	<b>22</b>	-	<b>P3</b>	-	<b>SA</b>	-	<b>G1a</b>
	Adsorber type		Refillable cartridge + valves		Size		FKM seals		Check valves 2 IN 2 OUT		Paper filter 3 micron		Adsorbent Silica Gel Active carbon		Connection for System BSP G1" male

Housing materials:	Aluminium	
Silica Gel (kg):	3,3	Max. water adsorbtion (ml): 1320
Total weight (kg):	6.85	

NAME:		
<b>Adsorber MA-RV 5L G1"m</b>		
<b>MA-RV_5L_F_22_P3_SA_G1a</b>		
Article no.:	Status freigabe	Format A4
<b>08.0003.35</b>	Maßstab	Blatt / von
	1:3	1 / 1

 <b>GIEBEL Adsorber®</b> ...setting standards in aeration drying!	Date	Name
	rev. 02.11.2020	Daniel Zinic
GIEBEL FilTec GmbH <a href="http://www.giebel-adsorber.de">www.giebel-adsorber.de</a> <a href="mailto:info@giebel-adsorber.de">info@giebel-adsorber.de</a>		