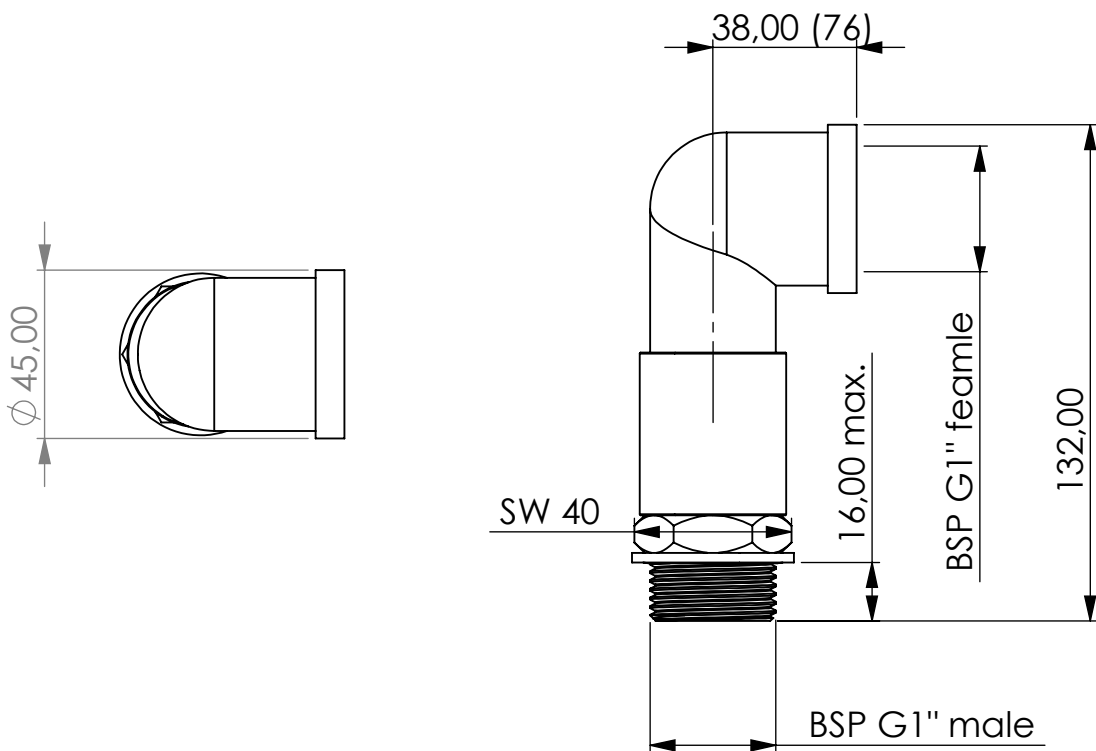
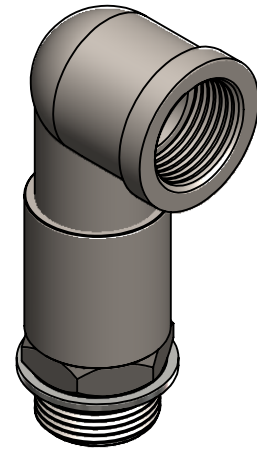


Mounting Adapter



Product Code	MOA	-	W	-	SS	-	N	-	G1i	-	G1a
	Mount Adapter		For horizontal adsorber installation		Material stainless steel		NBR seals		Connection for Adsorber BSP G1" female		Connection for system BSP G1" male

Total weight (kg): 0.62

NAME:

Mounting Adapter
MOA-W_SS_N_G1i_G1a

Article no.:
03.0001.00

Status approved

Format A4

Ratio 1:2

Sheet / of 1 / 1



GIEBEL Adsorber®
...setting standards in aeration drying!

GIEBEL FilTec GmbH
www.giebel-adsorber.de
info@giebel-adsorber.de