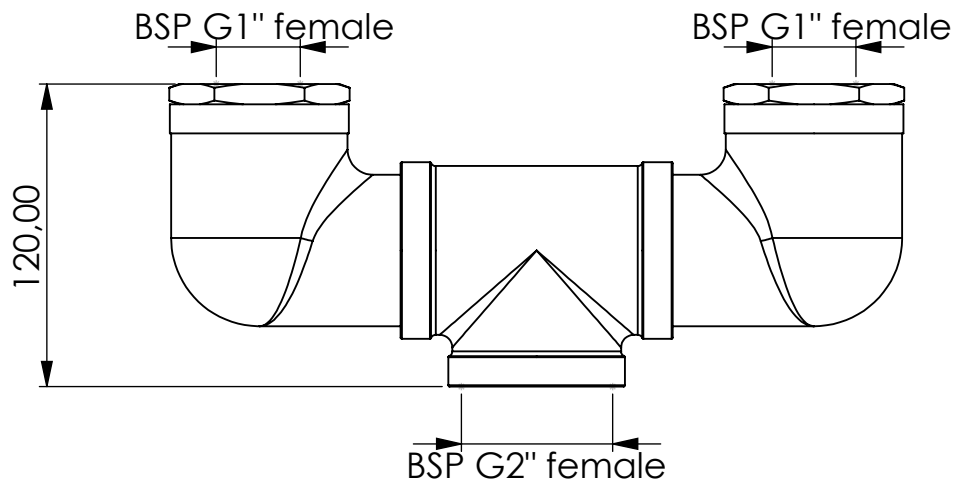
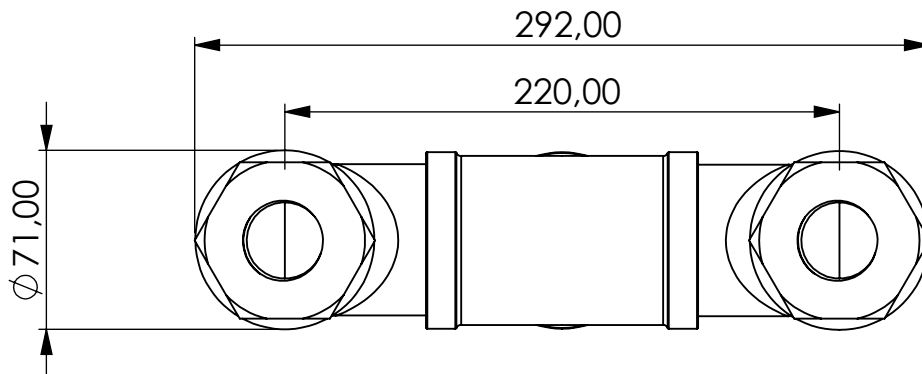
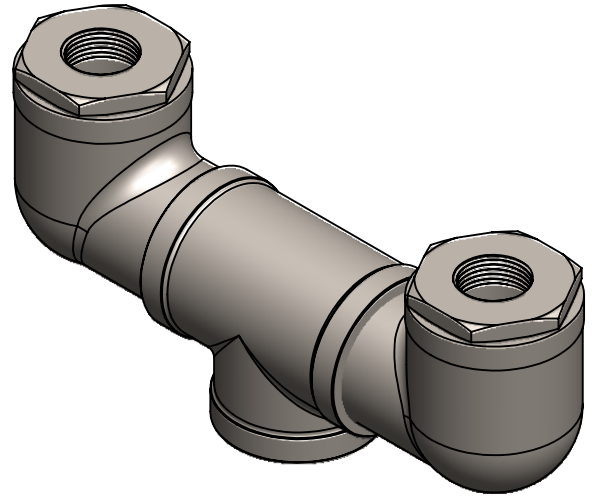


# Mounting Adapter



Product Code	MOA	-	2V	-	SS	-	G1i	-	G2i
	Mount Adapter		For double adsorber installation		Material stainless steel		Connection for Adsorber BSP G1" female		Connection for system BSP G2" female

Total weight (kg): 2.032

NAME:

**Mounting Adapter**  
MOA-2V\_SS\_G1i\_G2i

Article no.:  
**03.0001.04**

Status approved

Format A4

Ratio 1:3

Sheet / of 1 / 1

rev.	Date	Name
	13.11.2020	Daniel Zinic

GIEBEL FilTec GmbH  
www.giebel-adsorber.de  
info@giebel-adsorber.de



**GIEBEL Adsorber®**  
...setting standards in aeration drying!