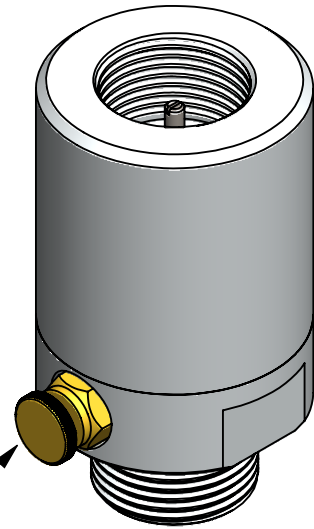
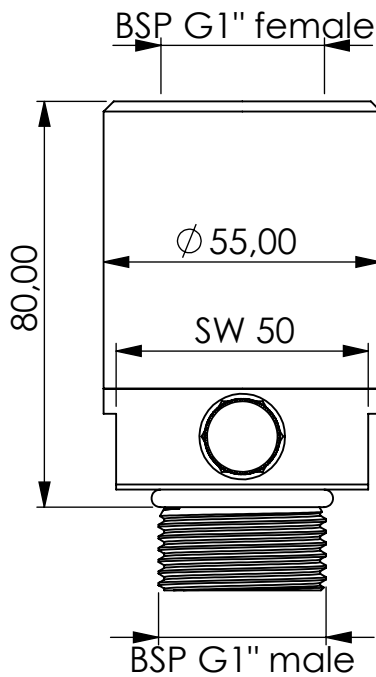


VALVE ADAPTER 0,3bar



pressure release valve



Opening directions

Opening pressure (0,3bar)
(for tanks under pressure)

pressureless (0,01bar)
(for aeration drying)

Product Code	VAD	03	AL	F	G1i	G1a
	Valve Adapter	Opening pressure 0,3bar OUT (0,01bar IN)	Aluminium material	FKM seals	Connection for Adsorber BSP G1" female	Connection for System BSP G1" male

Weight / Gewicht (kg): 0.37

NAME:

Valve Adapter
VAD_03_AL_F_G1i_G1a

Article no.:

03.0003.03

Status
freigabe

Maßstab

Format
A4

Blatt / von

1:1.5

1 / 1



GIEBEL Adsorber®
...setting standards in aeration drying!

GIEBEL FilTec GmbH
www.giebel-adsorber.de
info@giebel-adsorber.de