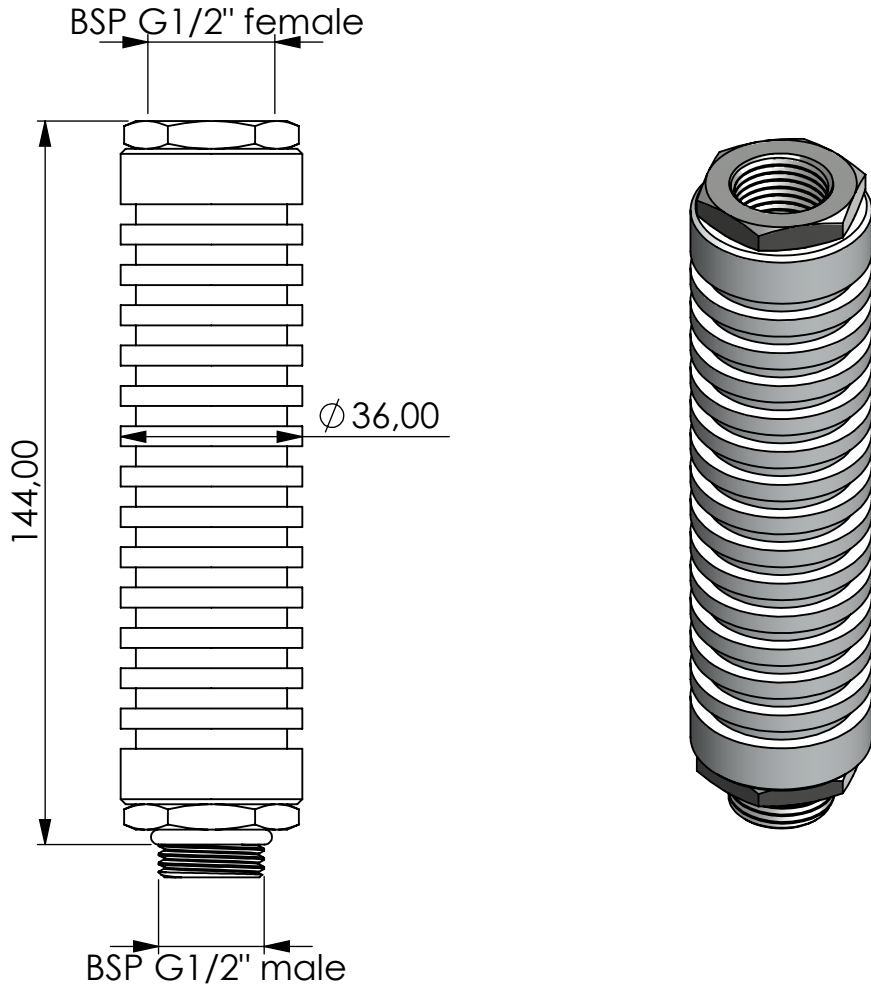


Oil demister



Product Code	OSD	-	130	-	AL	-	F	-	G12i	-	G12a
	Oil Demister		Size		Material Aluminium		FKM seals		Connection for Adsorber BSP G1/2" female		Connection for System BSP G1/2" male

Total weight (kg): 0.25

NAME:

Oil Demister

OSD_130_AL_F_G12i_G12a

Article no.:

03.2135.07

Status approved

Ratio 1:1.5

Format A4

Sheet / of 1 / 1



GIEBEL Adsorber®
...setting standards in aeration drying!

GIEBEL FilTec GmbH
www.giebel-adsorber.de
info@giebel-adsorber.de