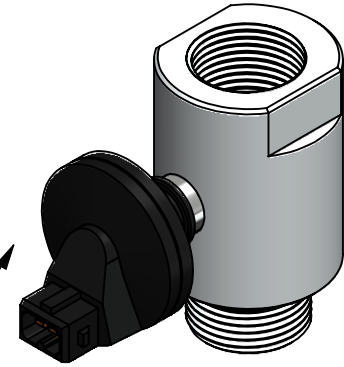
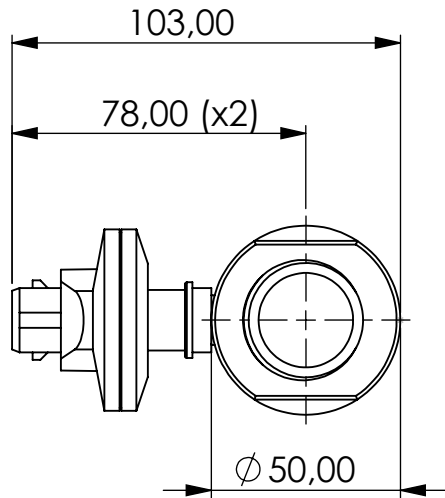
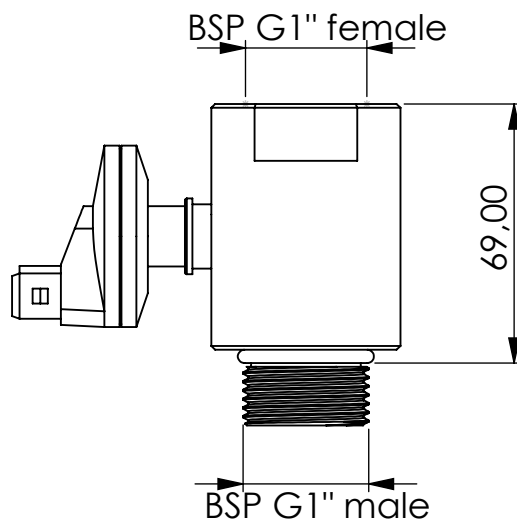


Protection Adapter



Contamination indicator for cases of blockage (80mbar). Electronically

- Electronical signal at 80mbar
- AMP-connector
- Max. switch power: 6W/24V DC (U.max = 24V, I.max = 0,25A)
- Material: PA6-GF30



Product Code	PRT	-	AD	-	AL	-	F	-	F0,08-el	-	G1i	-	G1a
	Protection Adapter		Adapter female-male		Material aluminum		FKM seals		Filterminder 0,08bar electronical		Connection for Adsorber BSP G1" female		Connection for Adsorber BSP G1" male

Total weight (kg): 0.297

NAME:

Protection Adapter

PRT-AD_AL_F_F0,08-el_G1i_G1a

Article no.:

08.2104.18

Status approved

Format A4

Ratio 1:2

Sheet / of 1 / 1



GIEBEL Adsorber®
...setting standards in aeration drying!

GIEBEL FilTec GmbH
www.giebel-adsorber.de
info@giebel-adsorber.de