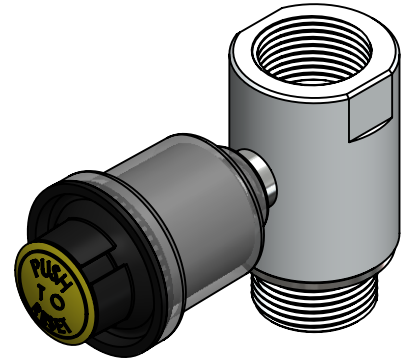
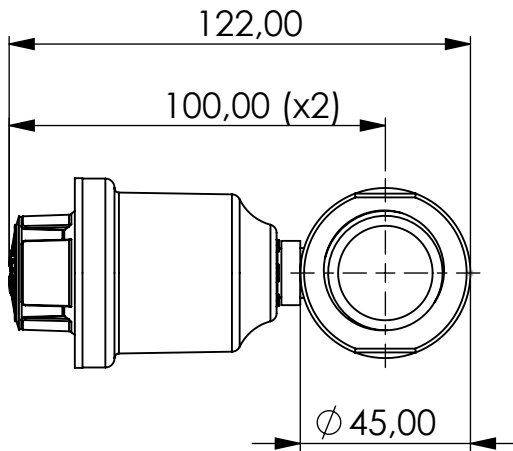
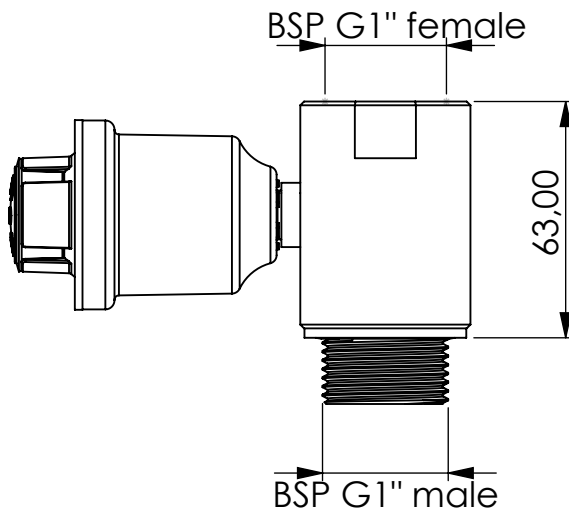


Protection Adapter



Contamination indicator for cases of blockage (80mbar). Resetable by push



Product Code	PRT	-	AD	-	AL	-	F	-	F0,08	-	G1f	-	G1m
	Protection Adapter		Adapter female-male		Material Aluminum		FKM seals		Filterminder 0,08bar		Connection for Adsorber BSP G1" female		Connection for Adsorber BSP G1" male

Total weight (kg): 0.249	
NAME:	
Protection Adapter	
PRT-AD_AL_F_F0,08_G1f_G1m	
Article no.:	Status approved
08.2104.01	Format A4
Ratio 1:2	Sheet / of 1 / 1

 GIEBEL Adsorber® ...setting standards in aeration drying!	Date	Name
	rev. 07.03.2023	Daniel Zinic
GIEBEL FilTec GmbH www.giebel-adsorber.de info@giebel-adsorber.de		