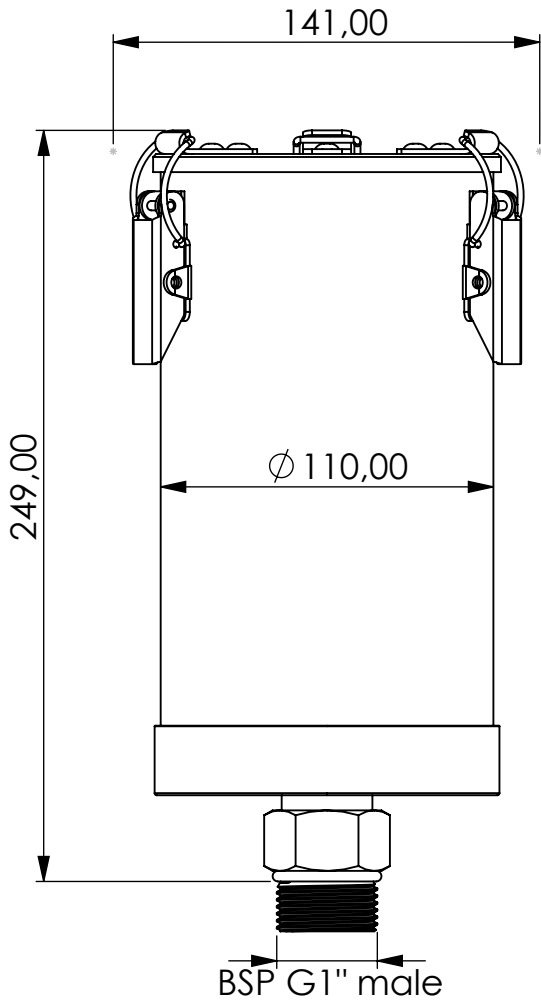


# Adsorber VV-R series



|              |               |   |                      |   |           |   |           |   |                            |   |                          |   |  |   |   |
|--------------|---------------|---|----------------------|---|-----------|---|-----------|---|----------------------------|---|--------------------------|---|--|---|---|
| Product Code | <b>VV</b>     | - | <b>R</b>             | - | <b>3M</b> | - | <b>F</b>  | - | <b>00</b>                  | - | <b>P3</b>                | - | <b>XC</b>                                | - | <b>G1m</b>                                  |
|              | Adsorber type |   | Refillable cartridge |   | Size      |   | FKM seals |   | No valves<br>0 IN<br>0 OUT |   | Paper filter<br>3 micron |   | Adsorbent<br>GIEBEL<br>Xdry® &<br>carbon |   | Connection<br>for System<br>BSP G1"<br>male |

|                    |             |                                 |
|--------------------|-------------|---------------------------------|
| Housing materials: | PA6, PC, AL |                                 |
| GIEBEL Xdry®(kg):  | 0,75        | Color-change capacity (ml): 263 |
| Total weight (kg): | 1.73        |                                 |

|                               |                    |              |
|-------------------------------|--------------------|--------------|
| NAME:                         |                    |              |
| <b>Adsorber VV-R 3M G1"m</b>  |                    |              |
| <b>VV-R_3M_F_00_P3_XC_G1m</b> |                    |              |
| Article no.:                  | Status<br>freigabe | Format<br>A4 |
| <b>05.0030.53</b>             | Maßstab            | Blatt / von  |
|                               | 1:2.5              | 1 / 1        |

|  |            |              |
|--|------------|--------------|
|  | Date       | Name         |
| rev.   | 18.04.2023 | Daniel Zinic |
|  <b>GIEBEL Adsorber®</b><br>...setting standards in aeration drying!          |            |              |
| GIEBEL FilTec GmbH<br><a href="http://www.giebel-adsorber.de">www.giebel-adsorber.de</a><br><a href="mailto:info@giebel-adsorber.de">info@giebel-adsorber.de</a> |            |              |