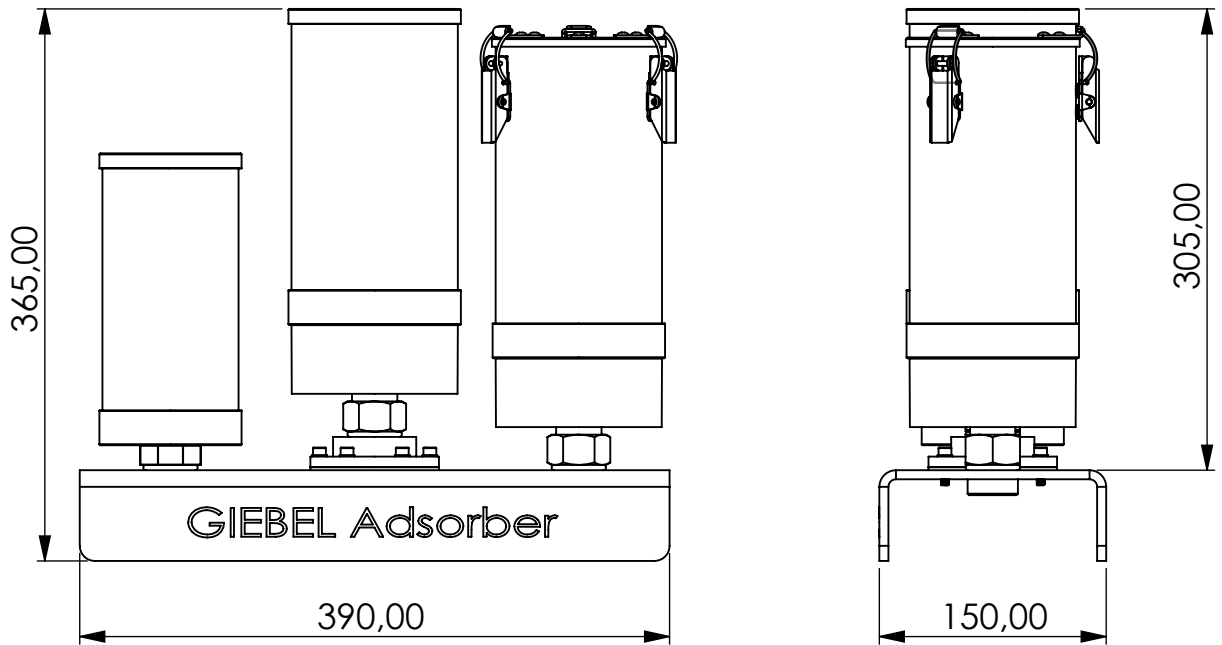
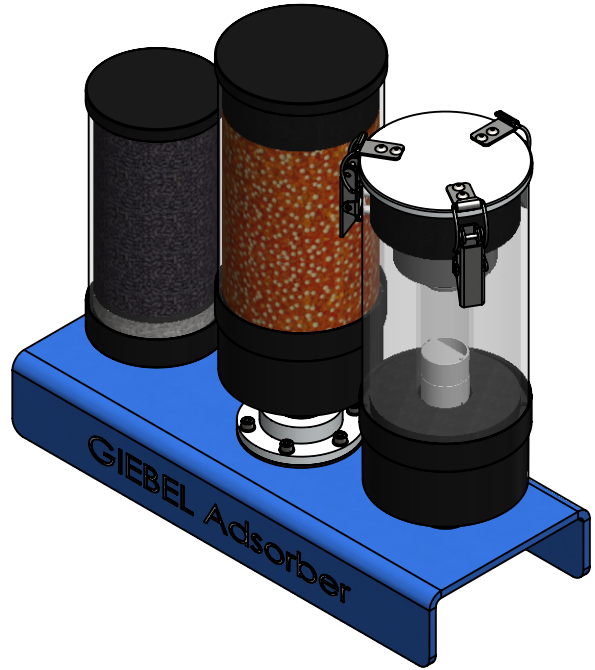


Sample Holder



Product Code	SH	-	AL	-	3	-	GIEBEL Adsorber
	Sample Holder		Material aluminum (anodized blue)		3 Adsorbers		- VG-D 2L - VV-DV 3M - VV-RV 3M

Housing materials: PA6, PC, PVC, AL

Total weight (kg): 5.28

NAME:

Sample Holder 3x
SH_AL_3_GIEBEL Adsorber

Article no.:
60.0001.02

Status
freigabe

Maßstab

1:5

Format
A4

Blatt / von

1 / 1



GIEBEL Adsorber®
...setting standards in aeration drying!

GIEBEL FilTec GmbH
www.giebel-adsorber.de
info@giebel-adsorber.de