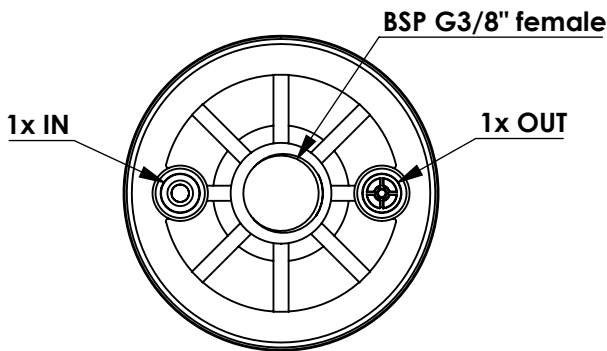
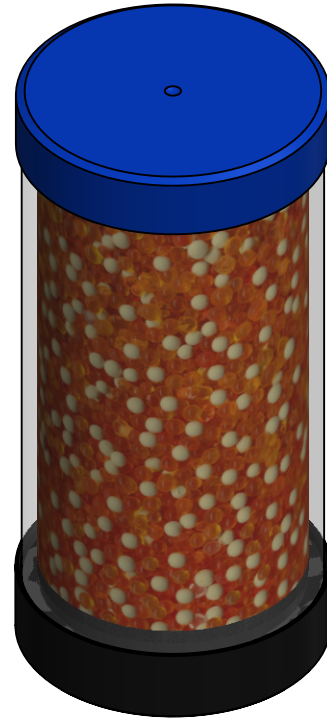
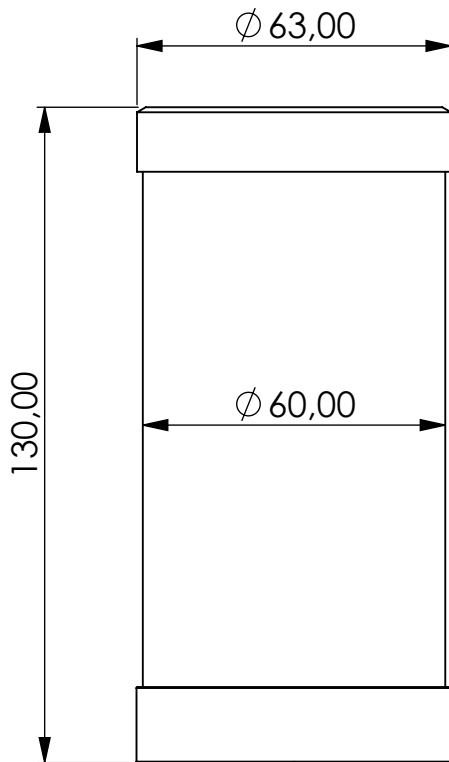


Adsorber VV-RV series



Product Code	VV	-	RV	-	1L	-	F	-	11	-	V2	-	XC	-	G38f
	Adsorber type		Refillable cartridge + valves		Size		FKM seals		Check valves 1 IN 1 OUT		Filter fleece 2 micron		Adsorbent GIEBEL Xdry® & carbon		Connection for System BSP G3/8" female

Housing materials:	PA6, PC	
GIEBEL Xdry® (kg):	0,15	Color-change capacity (ml): 53
Total weight (kg):	0,28	

NAME:		
Adsorber VV-RV 1L G3/8"f		
VV-RV_1L_F_11_V2_XC_G38f		
Article no.:	Status freigabe	Format A4
05.0010.13	Maßstab 1:1,5	Blatt / von 1 / 1

	Date	Name
rev.	18.04.2023	Daniel Zinic
GIEBEL FilTec GmbH		
www.giebel-adsorber.de		
info@giebel-adsorber.de		

