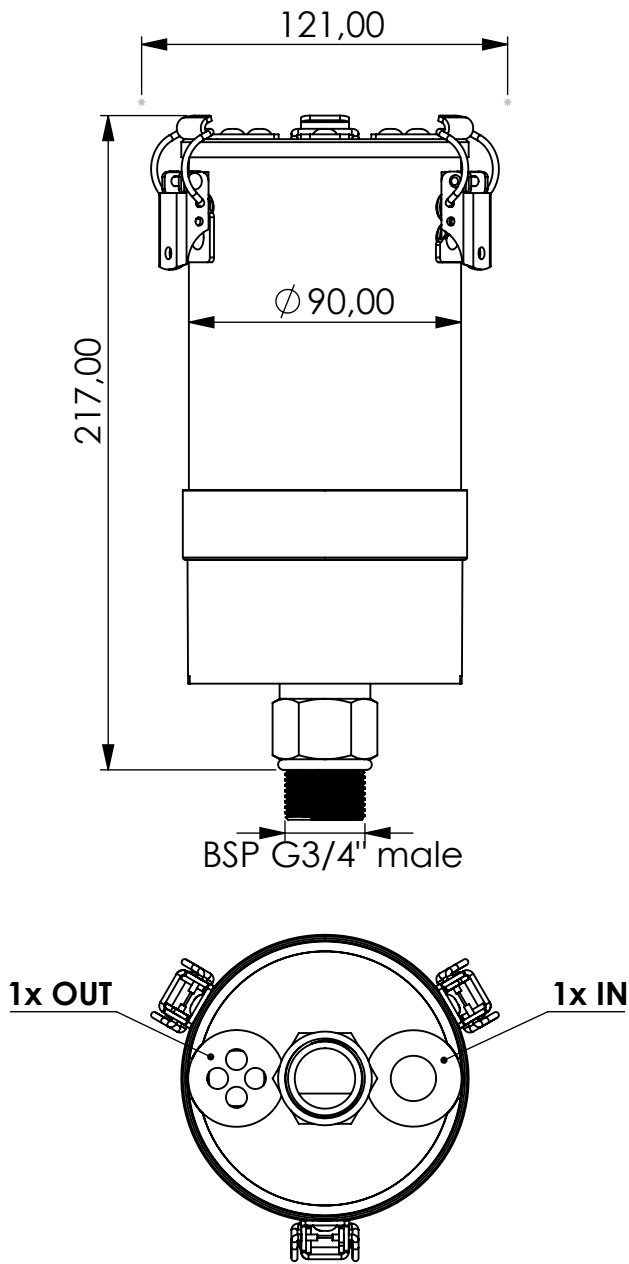


Adsorber VV-RV series



Product Code	VV	-	RV	-	2M	-	F	-	11	-	P3	-	XC	-	G34m
Adsorber type	Refillable cartridge + valves		Size	FKM seals	Check valves 1 IN 1 OUT	Paper filter 3 micron	Adsorbent GIEBEL Xdry® & carbon	Connection for System BSP G3/4" male							

Housing materials:	PA6, PC, AL	
GIEBEL Xdry® (kg):	0,3	Color-change capacity (ml): 105
Total weight (kg):	1.01	

NAME:	Adsorber VV-RV 2M G3/4"m	
	VV-RV_2M_F_11_P3_XC_G34m	

 GIEBEL Adsorber® <small>...setting standards in aeration drying!</small>	rev.	Date	Name
		19.04.2023	Daniel Zinic
GIEBEL FilTec GmbH www.giebel-adsorber.de info@giebel-adsorber.de			

Article no.:	Status freigabe	Format A4
05.0020.95	Maßstab	Blatt / von
	1:2.5	1 / 1