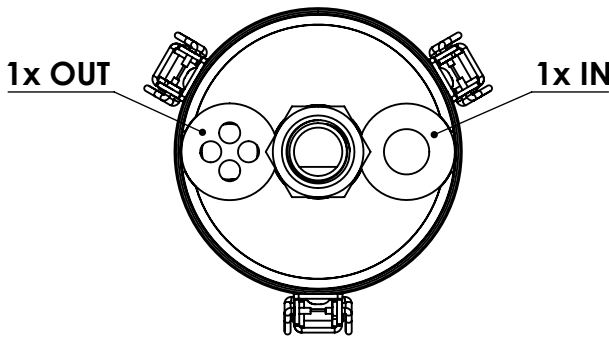
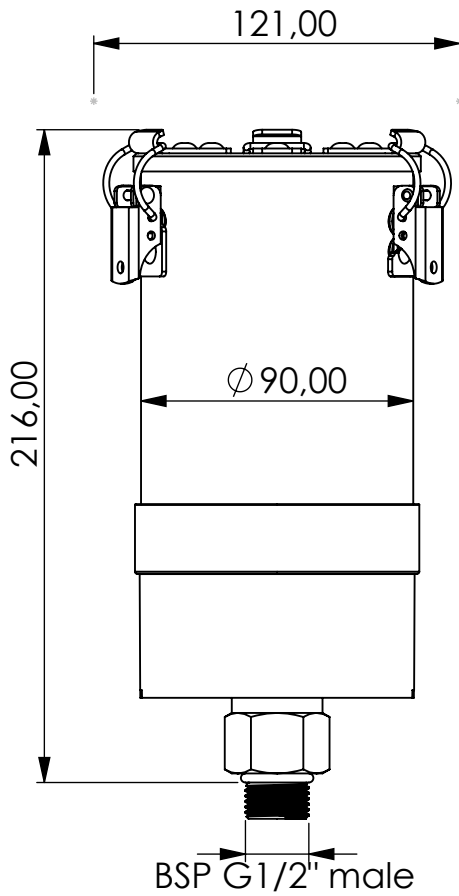


# Adsorber VV-RV series



Product Code	VV	-	RV	-	2M	-	F	-	11	-	P3	-	XC	-	G12m
	Adsorber type		Refillable cartridge + valves		Size		FKM seals		Check valves 1 IN 1 OUT		Paper filter 3 micron		Adsorbent GIEBEL Xdry® & carbon		Connection for System BSP G1/2" male

Housing materials:	PA6, PC, AL	
GIEBEL Xdry® (kg):	0,3	Color-change capacity (ml): 105
Total weight (kg):	1.01	

NAME:	<b>Adsorber VV-RV 2M G1/2"m</b>	
	VV-RV_2M_F_11_P3_XC_G12m	



GIEBEL FilTec GmbH  
www.giebel-adsorber.de  
info@giebel-adsorber.de

Article no.:	<b>05.0021.03</b>	Status freigabe	Format A4
		Maßstab	Blatt / von
		1:2.5	1 / 1