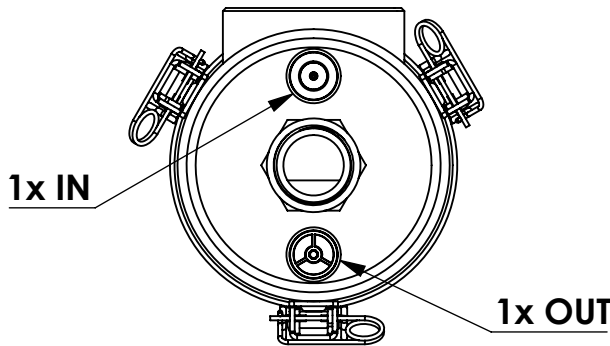
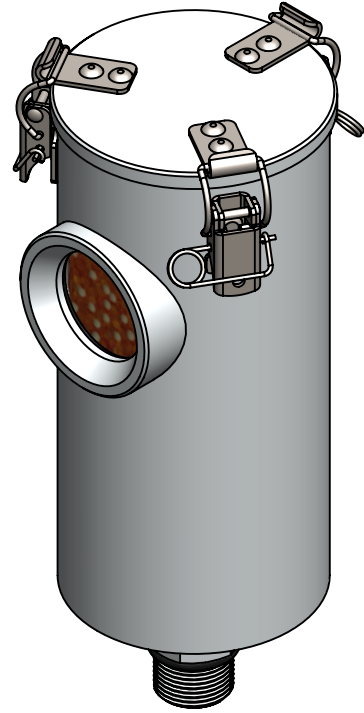
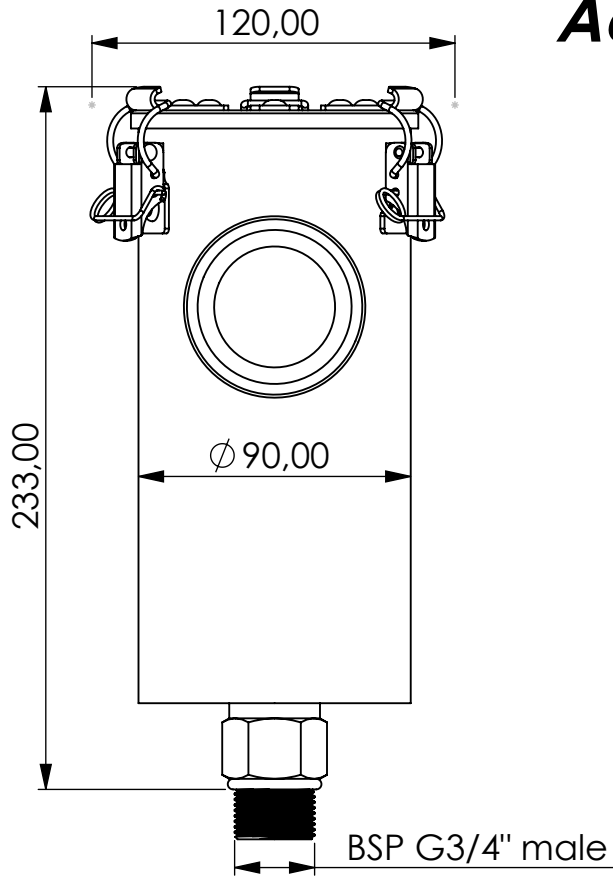


# Adsorber MA-RV series



Product Code	<b>MA</b>	-	<b>RV</b>	-	<b>2L</b>	-	<b>F</b>	-	<b>11</b>	-	<b>P3</b>	-	<b>XC</b>	-	<b>G34m</b>
	Adsorber type		Refillable cartridge + valves		Size		FKM seals		Check valves 1 IN 1 OUT		Paper filter 3 micron		Adsorbent GIEBEL Xdry® & carbon		Connection for System BSP G3/4" male

Housing materials:	Aluminium		
GIEBEL Xdry® (kg):	0.55	Color-change capacity (ml):	193
Total weight (kg):	1.65		

NAME:		
<b>Adsorber MA-RV 2L G3/4"m</b>		
<b>MA-RV_2L_F_11_P3_XC_G34m</b>		
Article no.:	Status	Format
<b>05.0030.31</b>	freigabe	A4
	Maßstab	Blatt / von
	1:2.5	1 / 1

	Date	Name
rev.	08.05.2023	Daniel Zinic
GIEBEL FilTec GmbH		
www.giebel-adsorber.com		
info@gf-dry.com		

