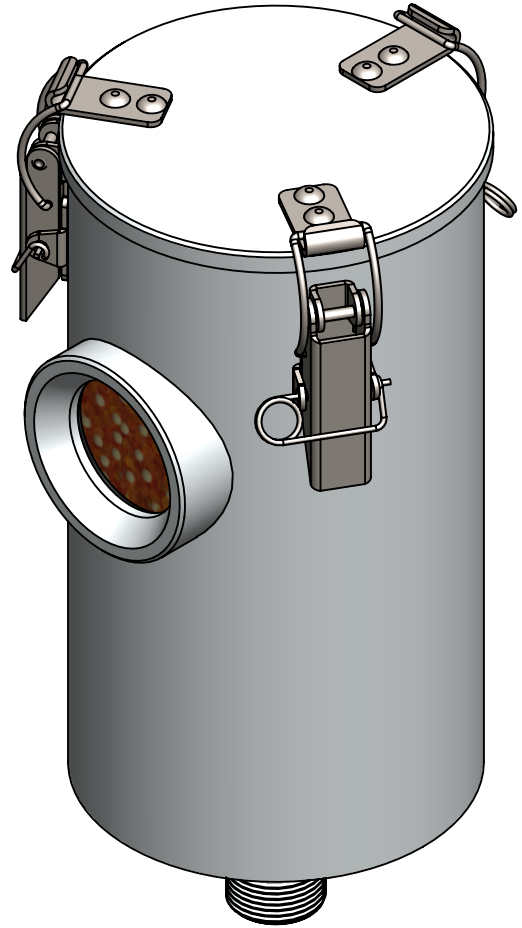
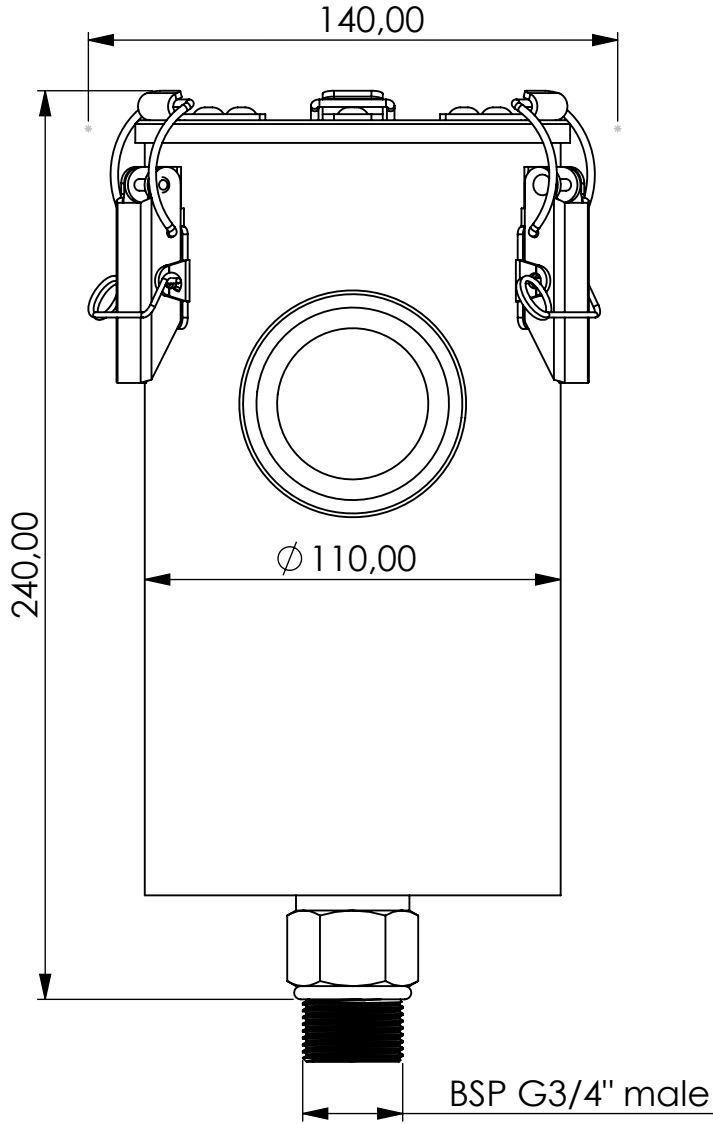


Adsorber MA-R series



Product Code	MA	-	R	-	3M	-	F	-	00	-	P3	-	XC	-	G34m
	Adsorber type		Refillable cartridge		Size		FKM seals		No valves		Paper filter 3 micron		Adsorbent GIEBEL Xdry® & carbon		Connection for System BSP G3/4" male

Housing materials:	Aluminium	
Silica Gel (kg):	0,85	Max. water adsorbtion (ml): 298
Total weight (kg):	2.08	
NAME:	Adsorber MA-R 3M G3/4"m	
	MA-R_3M_F_00_P3_XC_G34m	
Article no.:	05.0030.65	Status freigabe
		Format A4
		Maßstab Blatt / von
	1:2	1 / 1

	Date	Name
rev.	20.04.2023	Daniel Zinic
 GIEBEL Adsorber® ...setting standards in aeration drying!		
GIEBEL FilTec GmbH www.giebel-adsorber.de info@giebel-adsorber.de		