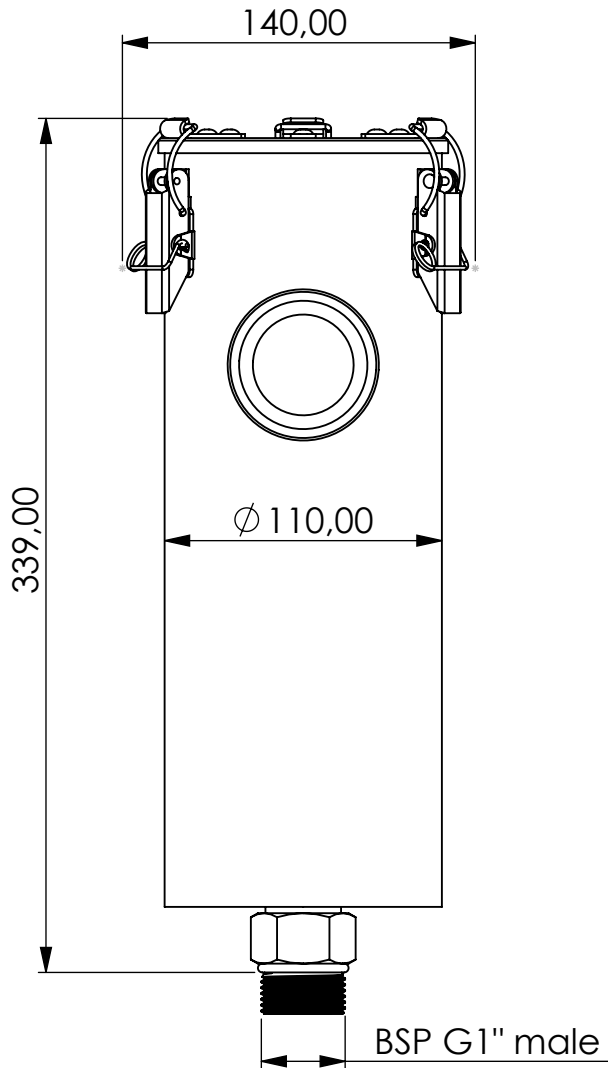


# Adsorber MA-R series



Product Code	<b>MA</b>	-	<b>R</b>	-	<b>3L</b>	-	<b>F</b>	-	<b>00</b>	-	<b>P3</b>	-	<b>XC</b>	-	<b>G1m</b>
	Adsorber type		Refillable cartridge		Size		FKM seals		No valves		Paper filter 3 micron		Adsorbent GIEBEL Xdry® & carbon		Connection for System BSP G1" male

Housing materials: Aluminium	
GIEBEL Xdry® (kg): 1,45	Color-change capacity (ml): 508
Total weight (kg): 3.04	
NAME:	
<b>Adsorber MA-R 3L G1"m</b>	
<b>MA-R_3L_F_00_P3_XC_G1m</b>	
Article no.:	Status
<b>05.0040.04</b>	freigabe
	Format
	A4
	Maßstab
	Blatt / von
	1 / 1

	Date	Name
rev.	20.04.2023	Daniel Zinic



**GIEBEL Adsorber®**  
...setting standards in aeration drying!

GIEBEL FilTec GmbH  
www.giebel-adsorber.de  
info@giebel-adsorber.de