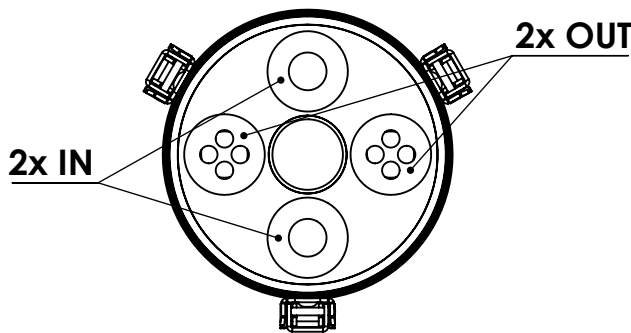
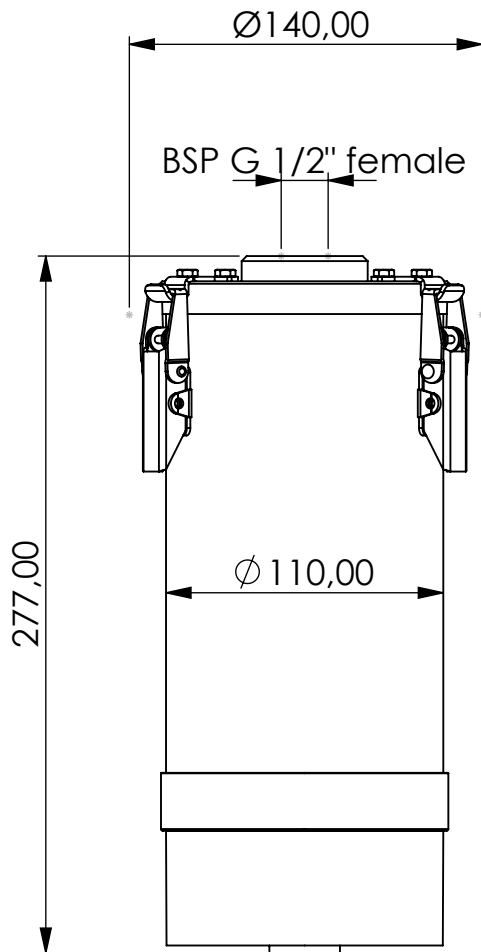


Adsorber TB-RV series



Product Code	TB	-	RV	-	3M	-	F	-	22	-	V2	-	XC	-	G12f
	Adsorber type		Refillable cartridge + valves		Size		FKM seals		Check valves 2 IN 2 OUT		Filter fleece 2 micron		Adsorbent GIEBEL Xdry® & carbon		Connection for System G 1/2" female

Housing materials:	PA6, PC, AL	
GIEBEL Xdry® (kg):	1,0	Color-change capacity (ml): 350
Total weight (kg):	2.347	

NAME:
Adsorber TB-RV 3M DIN42567C-G12f
 TB-RV_3M_F_22_V2_XC_DIN42567C-G12f


GIEBEL Adsorber®
 ...setting standards in aeration drying!
 GIEBEL FilTec GmbH
 www.giebel-adsorber.de
 info@giebel-adsorber.de

Article no.:	Status	Format
	freigabe	A4
06.0005.19	Maßstab	Blatt / von
	1:3	1 / 1