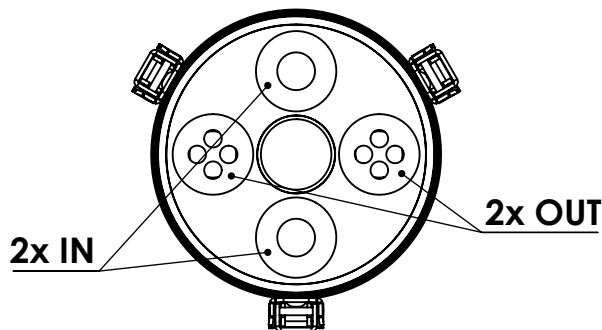
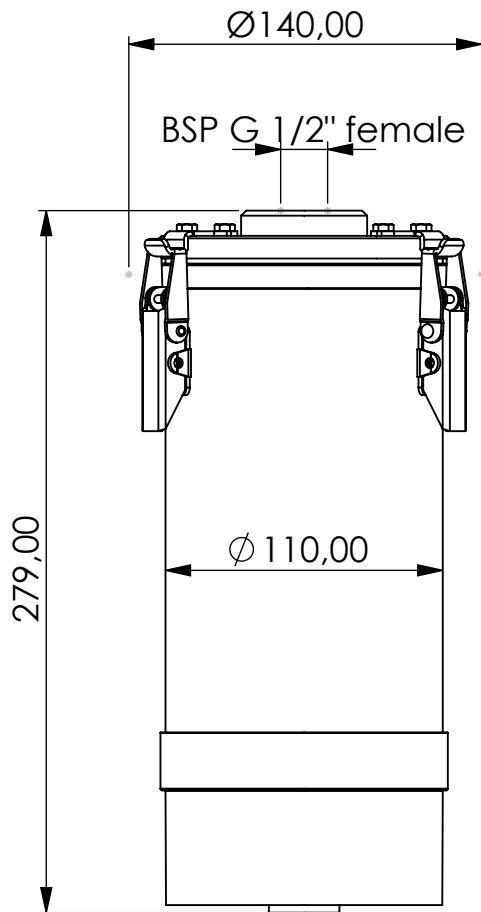


Adsorber TB-DV series



Product Code	TB	-	DV	-	3M	-	F	-	22	-	V2	-	XC	-	G12f
	Adsorber type		Disposable cartridge + valves		Size		FKM seals		Check valves 2 IN 2 OUT		Filter fleece 2 micron		Adsorbent GIEBEL Xdry® & carbon		Connection for System G 1/2" female

Housing materials:	PA6, PC, AL	
GIEBEL Xdry® (kg):	1.0	Color-change capacity (ml): 350
Total weight (kg):	2.31	

NAME:
Adsorber TB-DV 3M DIN42567C-G12f
 TB-DV_3M_F_22_V2_XC_DIN42567C-G12f

 GIEBEL Adsorber® <small>...setting standards in aeration drying!</small>	rev.	Date	Name
		04.05.2023	Daniel Zinic
GIEBEL FilTec GmbH www.giebel-adsorber.com info@gf-dry.de			

Article no.:	Status	Format
	freigabe	A4
06.0005.51	Maßstab	Blatt / von
	1:3	1 / 1