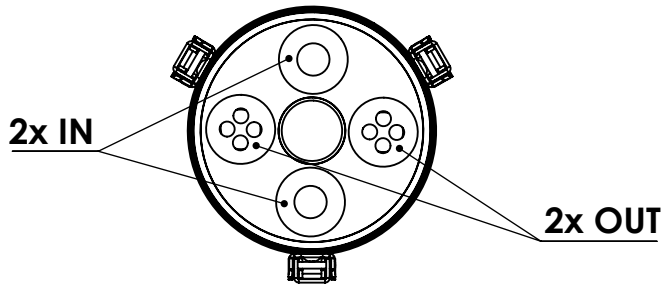
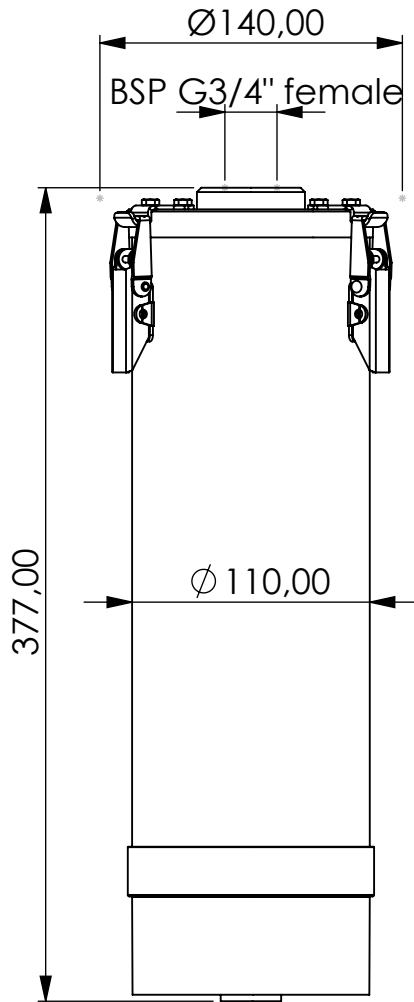


# Adsorber TB-RV series



Product Code	<b>TB</b>	-	<b>RV</b>	-	<b>3L</b>	-	<b>F</b>	-	<b>22</b>	-	<b>V2</b>	-	<b>XC</b>	-	<b>G34f</b>
	Adsorber type		Refillable cartridge + valves		Size		FKM seals		Check valves 2 IN 2 OUT		Filter fleece 2 micron		Adsorbent GIEBEL Xdry® & carbon		Connection for System G 3/4" female

Housing materials:	PA6, PC, AL	
GIEBEL Xdry® (kg):	1,5	Color-change capacity (ml): 600
Total weight (kg):	3.10	

NAME:  
**Adsorber TB-RV 3L DIN42567C-G34f**  
**TB-RV\_3L\_F\_22\_V2\_XC\_DIN42567C-G34f**

<p><b>GIEBEL Adsorber®</b> ...setting standards in aeration drying!</p>	Date	Name
	rev. 28.04.2023	daniel.zinic
GIEBEL FilTec GmbH www.giebel-adsorber.de info@giebel-adsorber.de		

Article no.:	<b>06.0010.24</b>	
	Status freigabe	Format A4
	Maßstab 1:3.5	Blatt / von 1 / 1