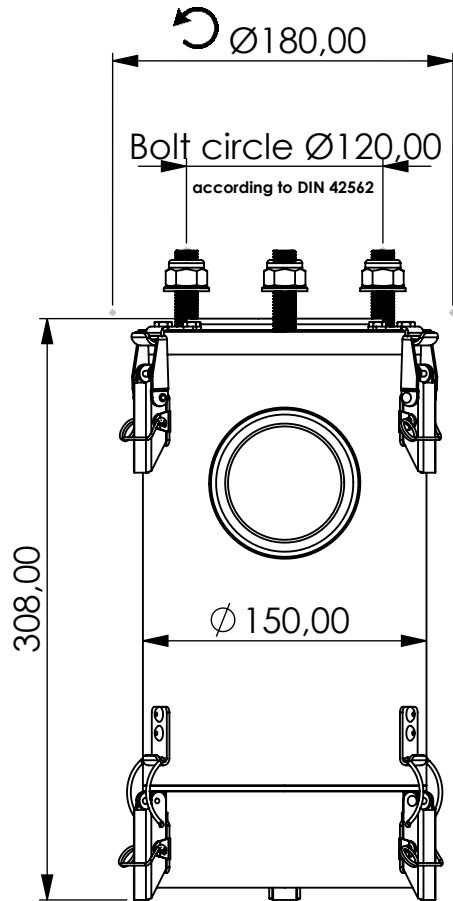
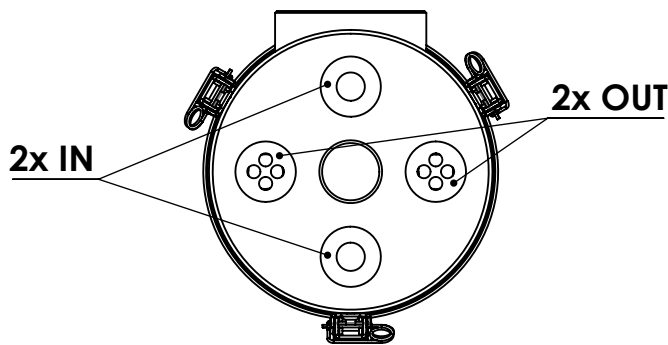


# Adsorber TM-RV series

DIN EN 50216-5:2002 + A3:2006



M12 screws & nuts



Product Code	<b>TM</b>	-	<b>RV</b>	-	<b>F</b>	-	<b>22</b>	-	<b>V2</b>	-	<b>XC</b>	-	<b>DIN42562</b>
	Adsorber type		Size Refillable + valves		FKM seals		Check valves 2 IN 2 OUT		Filter fleece 2 micron		Adsorbent GIEBEL Xdry® & carbon		Connection for System DIN42562 flange

Housing materials:	Stainless steel 316L		
GIEBEL Xdry® (kg):	2,6	Color-change capacity (ml):	910
Total weight (kg):	9.6		

NAME:  
**Adsorber TM-RV 5M DIN42562**  
 TM-RV\_5M\_F\_22\_V2\_XC\_DIN42562

Article no.:	Status	Format
	freigabe	A4
<b>06.0015.09</b>	Maßstab	Blatt / von
	1:4	1 / 1



GIEBEL FilTec GmbH  
 www.giebel-adsorber.de  
 info@giebel-adsorber.de

	Date	Name
rev.	25.04.2023	Daniel Zinic