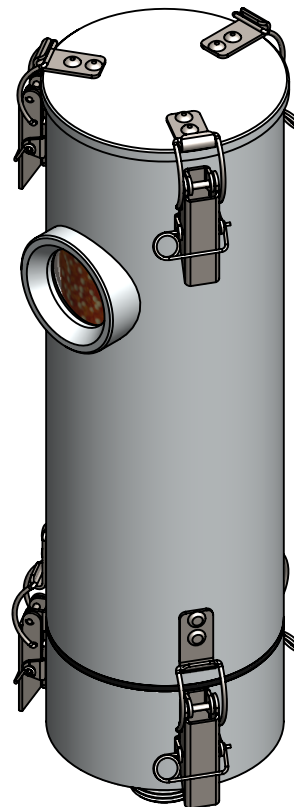
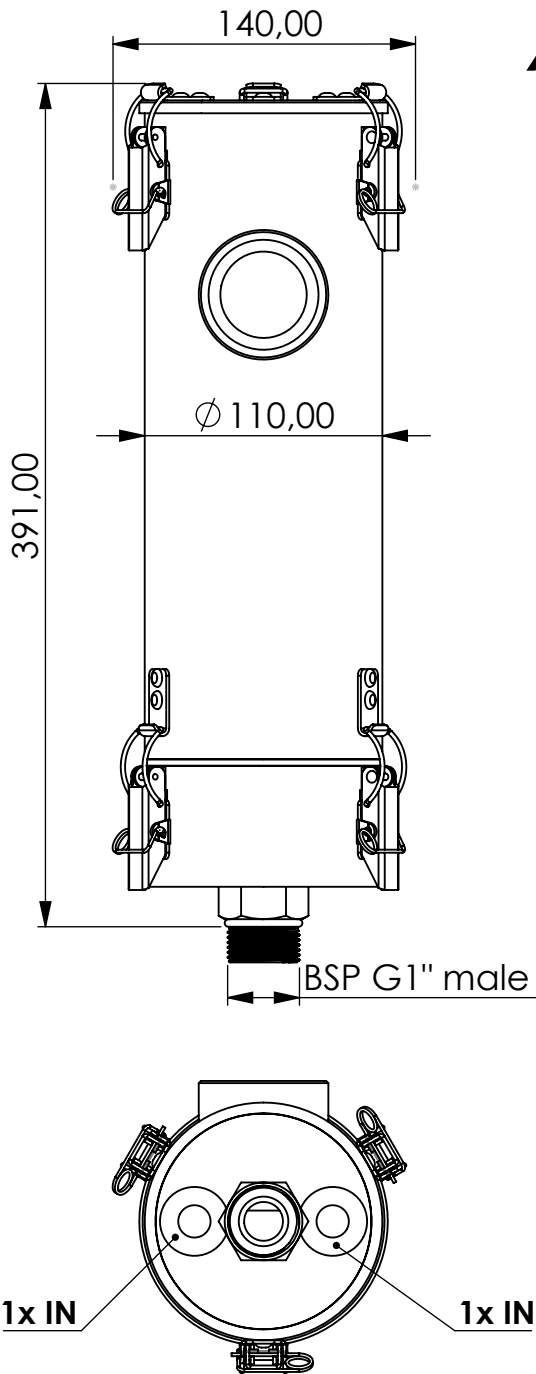


Adsorber MA-RV series



Product Code	MA	-	RV	-	3L	-	F	-	20	-	P3	-	XC	-	G1m
	Adsorber type		Refillable cartridge + valves		Size		FKM seals		Check valves 2 IN 0 OUT		Paper filter 3 micron		Adsorbent GIEBEL Xdry® & carbon		Connection for System BSP G1" male

Housing materials:	Aluminium		
GIEBEL Xdry® (kg):	1.45	Color-change capacity (ml):	508
Total weight (kg):	3.66		

NAME:		
Adsorber MA-RV 3L IN G1"m		
MA-RV_3L_F_20_P3_XC_G1m		
Article no.:	Status	Format
07.0000.36	freigabe	A4
	Maßstab	Blatt / von
	1:3.5	1 / 1

 GIEBEL Adsorber® <small>...setting standards in aeration drying!</small>	rev.	Date	Name
		09.05.2023	Daniel Zinic
GIEBEL FilTec GmbH www.giebel-adsorber.com info@gf-dry.com			