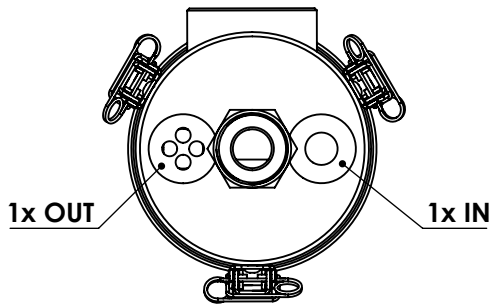
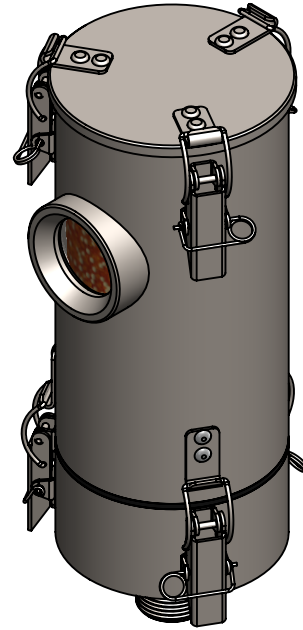
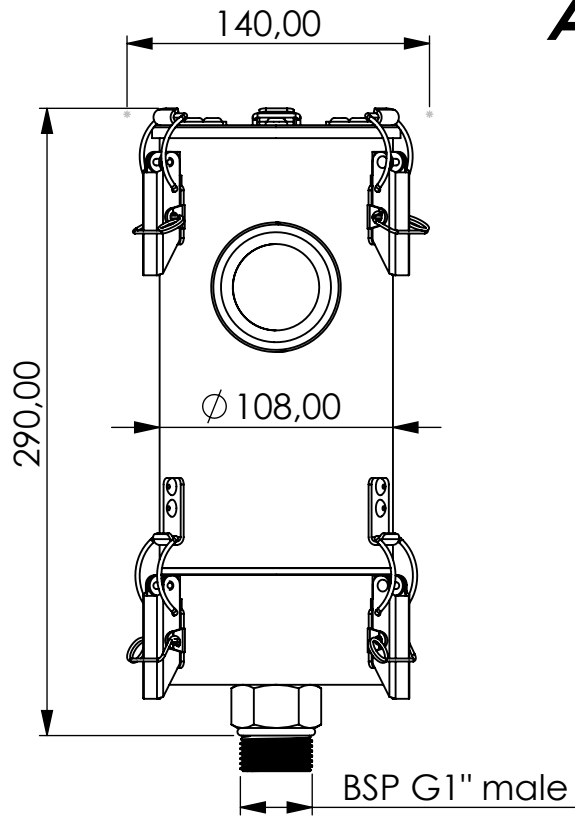


Adsorber ME-RV series



Product Code	ME	-	RV	-	3M	-	E	-	11	-	P3	-	XC	-	G1m
	Adsorber type		Refillable cartridge + valves		Size		EPDM seals		Check valves 1 IN 1 OUT		Paper filter 3 micron		Adsorbent GIEBEL Xdry® & carbon		Connection for System BSP G1" male

Housing materials:	Stainless steel 316L	
GIEBEL Xdry® (kg):	0.85	Color-change capacity (ml): 298
Total weight (kg):	4.59	

NAME:
Adsorber ME-RV 3M EPDM G1"m
ME-RV_3M_E_11_P3_XC_G1m

 GIEBEL Adsorber® <small>...setting standards in aeration drying!</small>	rev.	Date	Name
		15.05.2023	Daniel Zinic
GIEBEL FilTec GmbH www.giebel-adsorber.com info@gf-dry.com			

Article no.:	Status	Format
	freigabe	A4
07.0000.49	Maßstab	Blatt / von
	1:3.5	1 / 1