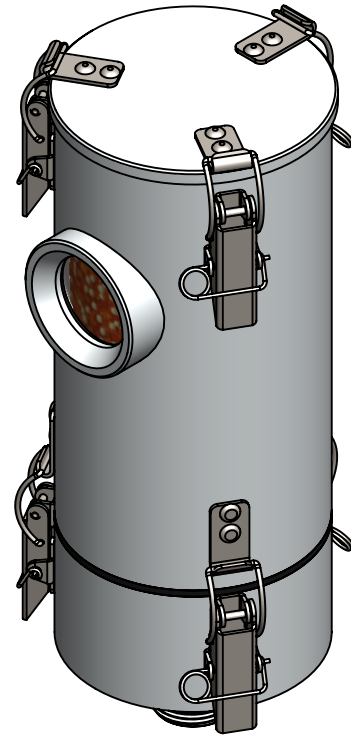
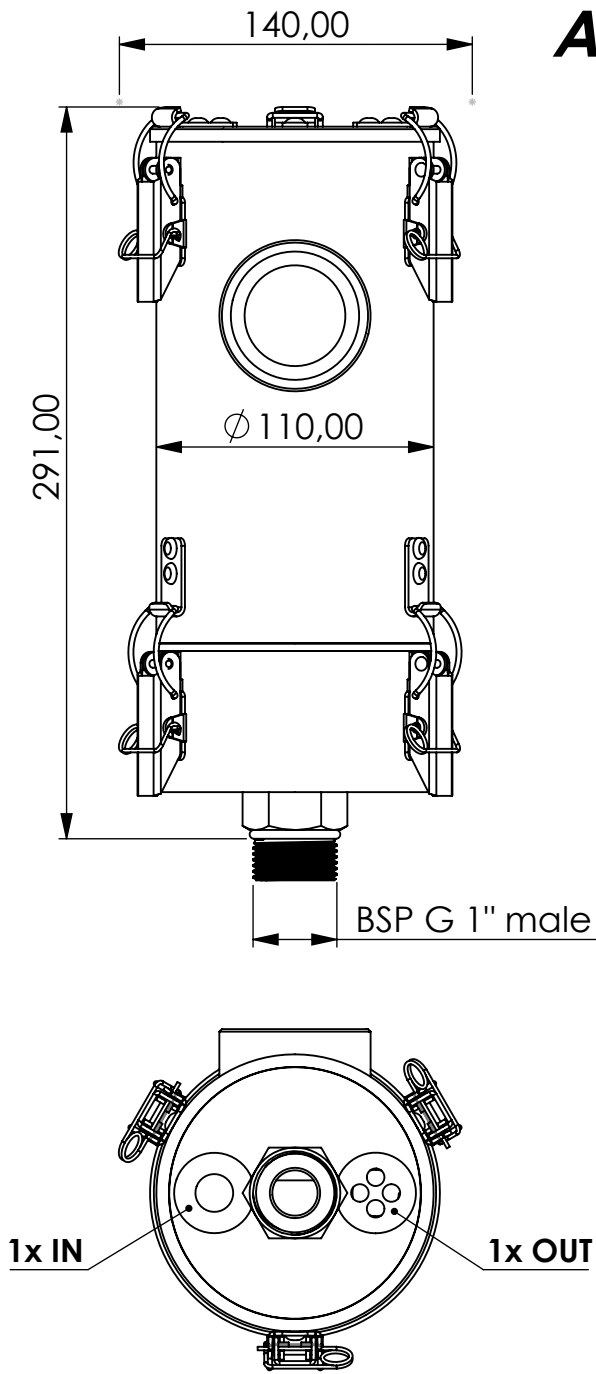


Adsorber MA-RV series



Product Code	MA	-	RV	-	3M	-	F	-	11	-	P3	-	XC	-	G1m
	Adsorber type		Refillable cartridge + valves		Size		FKM seals		Check valves 1 IN 1 OUT		Paper filter 3 micron		Adsorbent GIEBEL Xdry® & carbon		Connection for System BSP G1" male

Housing materials:	Aluminium		
GIEBEL Xdry® (kg):	0.85	Max. water adsorption (ml):	298
Total weight (kg):	2.73		

NAME:		
Adsorber MA-RV 3M G1"m		
MA-RV_3M_F_11_P3_XC_G1m		
Article no.:	Status	Format
07.0000.53	freigabe	A4
	Maßstab	Blatt / von
	1:3	1 / 1

rev.	Date	Name
	08.05.2023	Daniel Zinic

GIEBEL FilTec GmbH
www.giebel-adsorber.de
info@giebel-adsorber.de



GIEBEL Adsorber®
 ...setting standards in aeration drying!