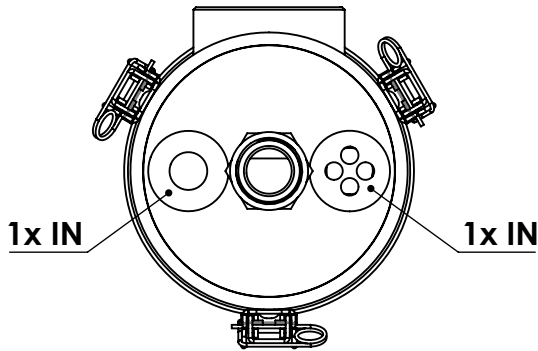
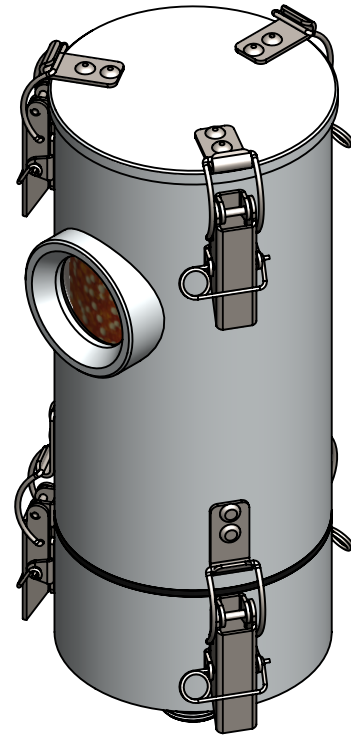
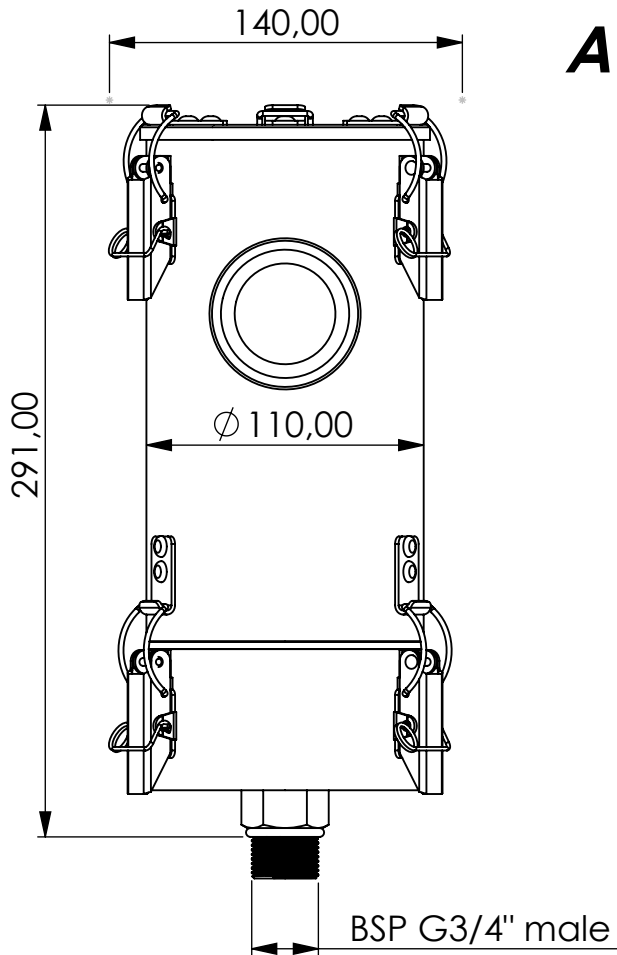


Adsorber MA-RV series



Product Code	MA	-	RV	-	3M	-	F	-	11	-	P3	-	XC	-	G34m
	Adsorber type		Refillable cartridge + valves		Size		FKM seals		Check valves 1 IN 1 OUT		Paper filter 3 micron		Adsorbent GIEBEL Xdry® & carbon		Connection for System BSP G3/4" male

Housing materials:	Aluminium		
GIEBEL Xdry® (kg):	0.85	Color-change capacity (ml):	298
Total weight (kg):	2.70		

NAME:	Adsorber MA-RV 3M G3/4"m
	MA-RV_3M_F_11_P3_XC_G34m

 GIEBEL Adsorber® <small>...setting standards in aeration drying!</small>	rev.	Date	Name
		08.05.2023	Daniel Zinic
GIEBEL FilTec GmbH www.giebel-adsorber.de info@giebel-adsorber.de			

Article no.:	07.0001.00	Status	freigabe	Format	A4
		Maßstab	1:3	Blatt / von	1 / 1