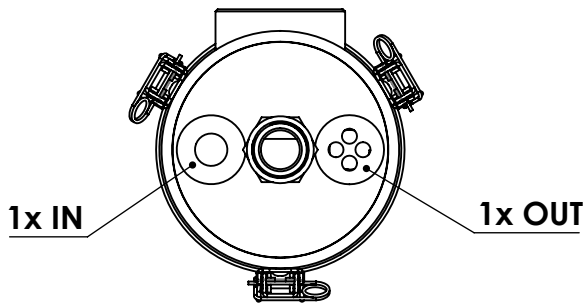
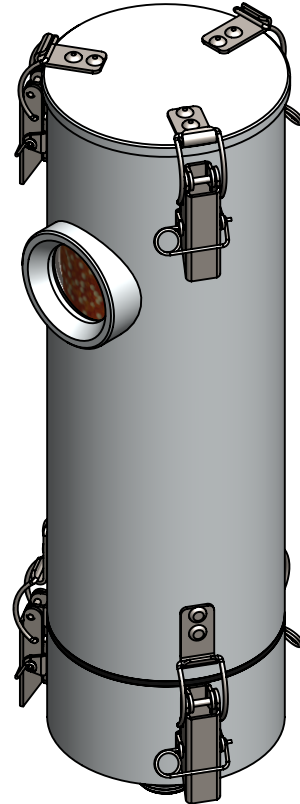
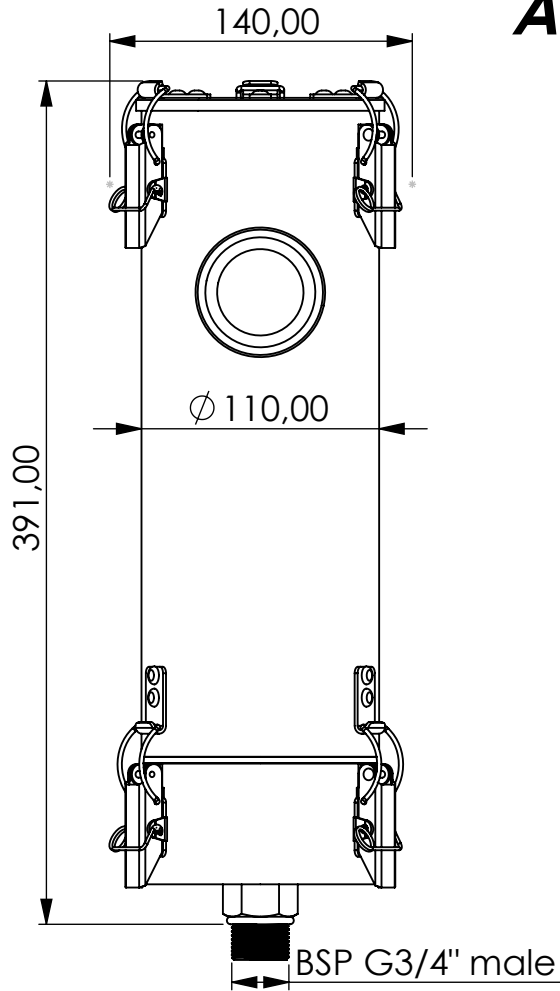


Adsorber MA-RV series



Product Code	MA	-	RV	-	3L	-	F	-	11	-	P3	-	XC	-	G34m
	Adsorber type		Refillable cartridge + valves		Size		FKM seals		Check valves 1 IN 1 OUT		Paper filter 3 micron		Adsorbent GIEBEL Xdry® & carbon		Connection for System BSP G3/4" male

Housing materials:	Aluminium		
GIEBEL Xdry® (kg):	1.45	Color-change capacity (ml):	508
Total weight (kg):	3.63		

NAME:		
Adsorber MA-RV 3L G3/4"m		
MA-RV_3L_F_11_P3_XC_G34m		
Article no.:	Status	Format
07.0001.10	freigabe	A4
	Maßstab	Blatt / von
	1:3.5	1 / 1

 GIEBEL Adsorber® ...setting standards in aeration drying!	rev.	Date	Name
		08.05.2023	Daniel Zinic
GIEBEL FilTec GmbH www.giebel-adsorber.de info@giebel-adsorber.de			