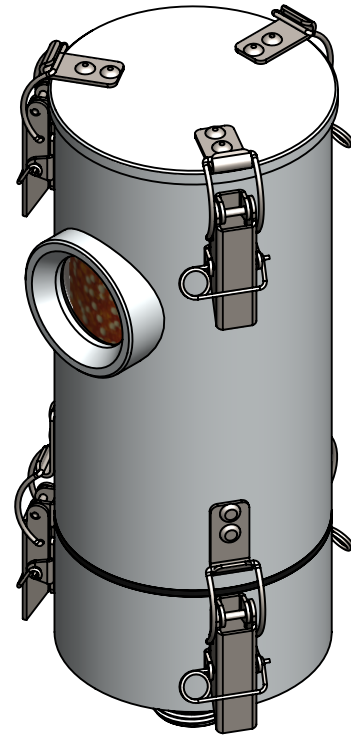
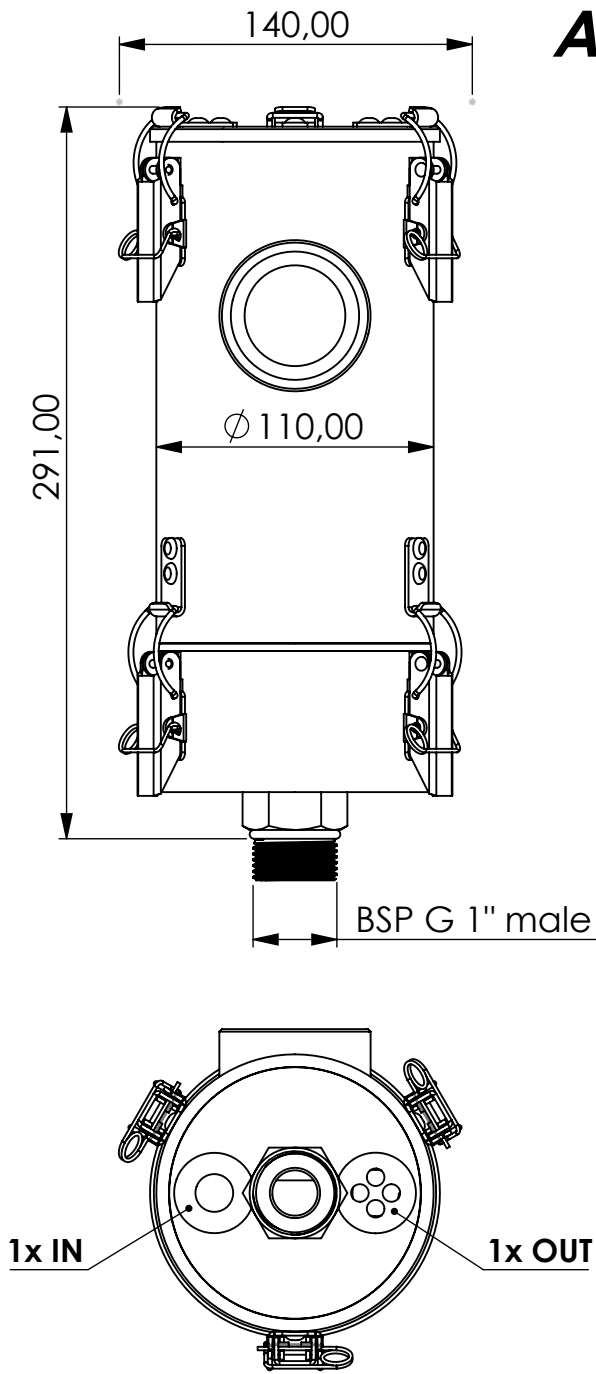


Adsorber MA-RV series



Product Code	MA	-	RV	-	3M	-	E	-	11	-	P3	-	XC	-	G1m
	Adsorber type		Refillable cartridge + valves		Size		EPDM seals		Check valves 1 IN 1 OUT		Paper filter 3 micron		Adsorbent GIEBEL Xdry® & carbon		Connection for System BSP G1" male

Housing materials:	Aluminium	
GIEBEL Xdry® (kg):	0.85	Max. water adsorption (ml): 298
Total weight (kg):	2.73	

NAME:
Adsorber MA-RV 3M EPDM G1"m
MA-RV_3M_E_11_P3_XC_G1m

 GIEBEL Adsorber® ...setting standards in aeration drying!	rev.	Date	Name
		08.05.2023	Daniel Zinic
GIEBEL FilTec GmbH www.giebel-adsorber.de info@giebel-adsorber.de			

Article no.:	Status	Format
07.0001.54	freigabe	A4
	Maßstab	Blatt / von
	1:3	1 / 1